

CULINAIRE 33" STAINLESS STEEL KITCHEN SINK

7504.103 Self Rimming

- 18 Gauge Stainless Steel
- 18/10 Chrome Nickel content
- Dual level bowl design
- Self-rimming
- One accessory hole
- Mounting clips supplied

7504.000 Undercounter Mount

- 18 Gauge Stainless Steel
- 18/10 Chrome Nickel content
- Dual level bowl design
- Undercounter installation
- Mounting clips supplied

Nominal Dimensions: 33" x 22" x 9" x 5"
(838 x 559 x 229 x 129mm)

Bowl sizes:

Right Hand: 6" (150mm) wide, 13-1/2"
(343mm) front to back, 4-3/4" (121mm) deep
Left Hand: 21" (540mm) wide, 18-3/4"
(476mm) front to back, 8-5/8" (219mm) deep

Compliance Certifications -

Meets or Exceeds the Following Specifications:

- ASME A112.19.3 for Stainless Steel Plumbing Fixtures
- CSA B45 for Plumbing Fixtures



7504.103



7504.000

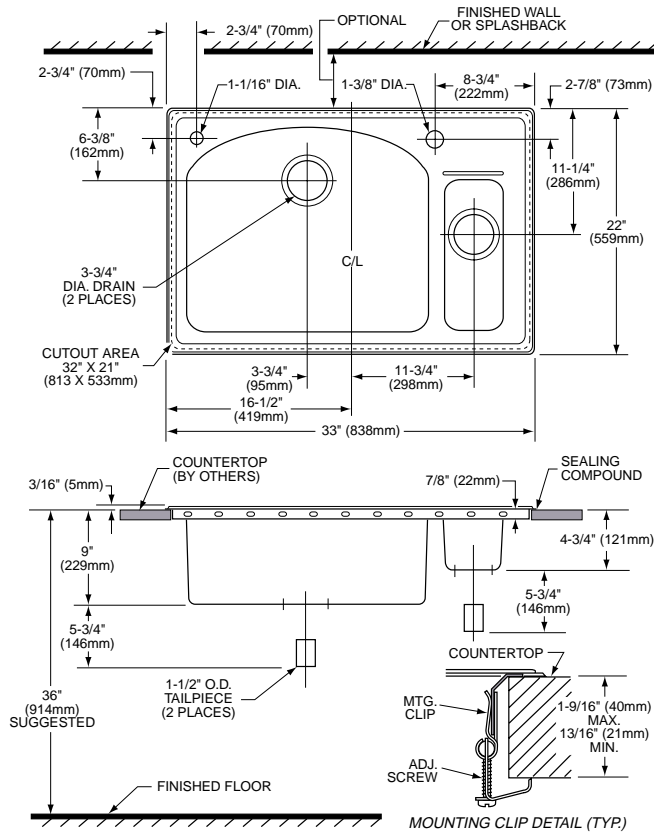
Rough-in Dimensions shown on reverse

To Be Specified:

- | | |
|--|--|
| <input type="checkbox"/> Color: Stainless Steel | <input type="checkbox"/> Vinyl Coated Dish Rack-Sm: 7532.100 |
| <input type="checkbox"/> Faucet*: | <input type="checkbox"/> Vinyl Coated Dish Rack-Lg: 7534.100 |
| <input type="checkbox"/> Faucet Finish: | <input type="checkbox"/> Wood Cutting Board-Rec: 9001.100 |
| <input type="checkbox"/> Basket Strainer: 4331.013 | <input type="checkbox"/> Synthetic Cutting Board-Rec: 9009.100 |
| <input type="checkbox"/> Soap Dispenser: 4503.115 | <input type="checkbox"/> Steel Colander: 8130.100 |
| <input type="checkbox"/> Vinyl Coated Bottom Rack-Lg: 7414.000 | |
| <input type="checkbox"/> Remote Access Drain-Sgl Ctrl: 8780.010 | |
| <input type="checkbox"/> Remote Access Drain-Dual Ctrl: 8782.020 | |

* See faucet section for additional models available

7504.103

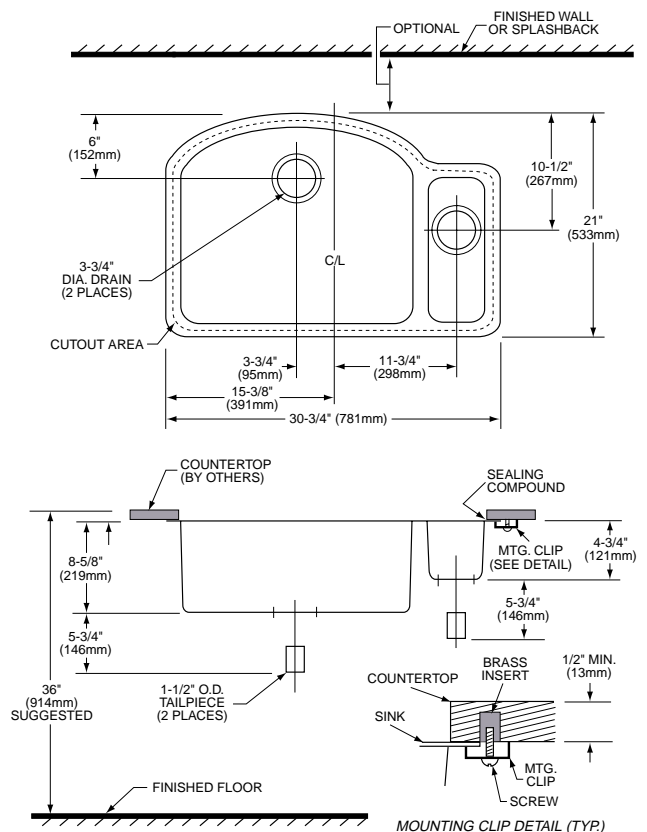


NOTES:
FITTINGS NOT INCLUDED AND MUST BE ORDERED SEPARATELY.
PROVIDE SUITABLE REINFORCEMENT FOR ALL WALL AND COUNTERTOP SUPPORTS.
IMPORTANT: Dimensions of fixtures are nominal and may vary within the range of tolerances established by ASME A112.19.3. These measurements are subject to change or cancellation. No responsibility is assumed for use of superseded or voided leaflet.

NOTES:
* TEMPLATE PROVIDED WITH MOUNTING KIT FOR EXPOSED FAUCET DECK OR UNDER-COUNTER FAUCET DECK COUNTERTOP CUTOUT VARIATIONS.
FITTINGS NOT INCLUDED AND MUST BE ORDERED SEPARATELY.
PROVIDE SUITABLE REINFORCEMENT FOR ALL WALL AND COUNTERTOP SUPPORTS.

IMPORTANT: Dimensions of fixtures are nominal and may vary within the range of tolerances established by ASME A112.19.3. These measurements are subject to change or cancellation. No responsibility is assumed for use of superseded or voided leaflet.

7504.000



SPS 7504