

American Standard

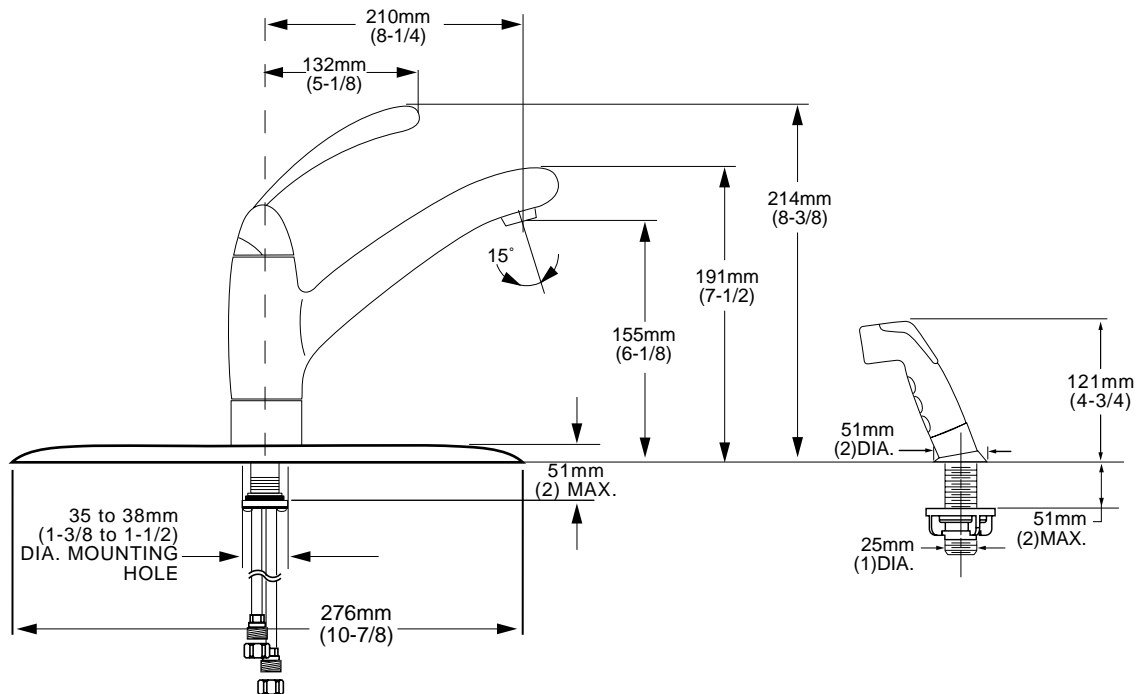
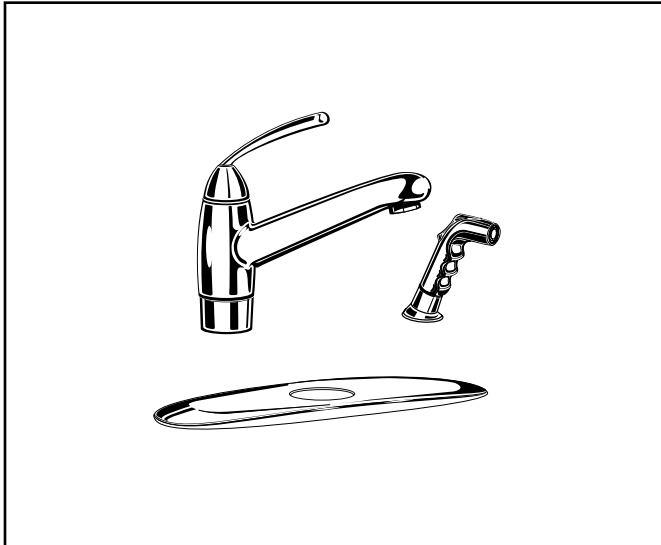
CULINAIRE™

SINGLE CONTROL KITCHEN FAUCET WITH CAST BRASS SPOUT

MODEL NUMBER:

❑ 4137.001 Kitchen Faucet

Handspray. 3/8" O.D. copper supplies with 1/2" male threaded connectors and nuts. Escutcheon plate (installation is optional)



GENERAL DESCRIPTION:

Brass body and cast brass swing spout. Stamped brass escutcheon plate and metal lever handle. Washerless 40mm ceramic disc valve cartridge. 3/8" O.D. copper supplies with 1/2" male threaded connectors and nuts. 2.2 gpm/8.3L/min. maximum flow rate. Can be mounted with or without supplied escutcheon plate (escutcheon size 10-7/8"L x 2-1/2"W x 9/16"H). Cap provided for less spray applications

PRODUCT FEATURES:

Brass and Copper Waterway & Cast Brass Spout: Highest quality materials for durability and long life.

Ceramic Disc Valve Cartridge: Assures smooth, precise valve control and a lifetime of drip-free, maintenance-free performance.

Memory Position Valving: Allows user to turn valve on and off at preferred temperature setting without readjusting handle position each time.

Low Lead: Meets NSF Standard 61/Section 9 & Prop 65 lead requirements.

Choice of Finishes: Wide range of durable finishes.

SUGGESTED SPECIFICATION:

Single control kitchen faucet shall feature a brass body and cast brass swing spout. Stamped brass escutcheon plate, and metal lever handle. Shall also feature washerless ceramic disc valve cartridge. Fitting shall be American Standard Model # 4137.001._____.



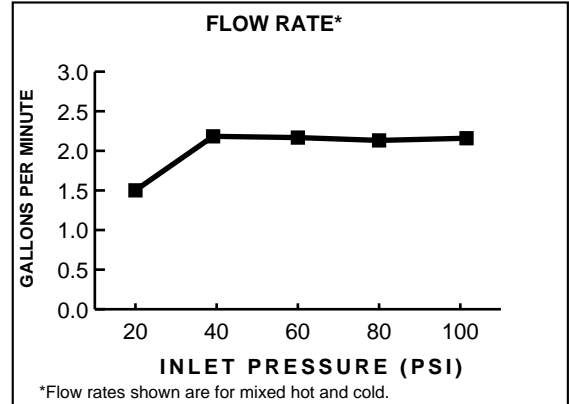
CULINAIRE™

SINGLE CONTROL KITCHEN FAUCET WITH CAST BRASS SPOUT


CODES AND STANDARDS

These products meet or exceed the following codes and standards:

- ANSI A117.1
- ASME A112.18.1
- CSA B 125
- NSF 61/Section 9



Product Number	Description	Finish Options					
		Polished Chrome	PVD Blackened Bronze	PVD Stainless Steel	PVD Polished Brass	White Heat	PVD Satin
		002	068	075	099	208	295
4137.001	Kitchen faucet. Handspray. 3/8" O.D. copper inlets with 1/2" male threaded connectors and nuts.						

 Meets the American Disabilities Act Guidelines and **ANSI A117.1** Requirements for the physically challenged.