

Pacemaker® Double Bowl Sink
20 Gauge - Type 304 - Self Rim
Model PSMR3322 Series



SPECIFICATIONS

GENERAL

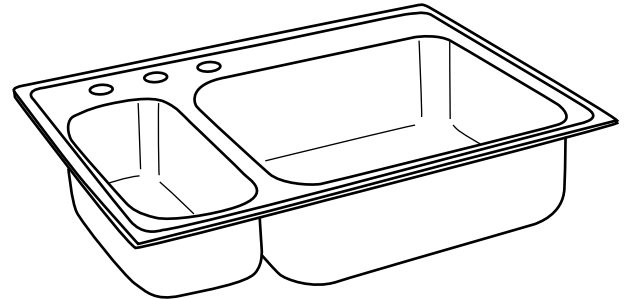
Fine quality Pacemaker single bowl hospitality sink is seamlessly drawn of #20 gauge, type 304 (18-8) nickel bearing stainless steel. Self-rimming.

DESIGN FEATURES

Bowl Depths: 5" (Small Bowl), 7-1/4" (Large Bowl).
 Bowl and Faucet Deck Recess: 3/16" drop ledge.
 Finish: Exposed surfaces are polished to a lustrous, highlighted bright satin finish.
 Underside: Fully protected by heavy duty Sound Guard™ undercoating to prevent condensation and deaden sound.

OTHER

Drain Opening: 3-1/2".
 Faucet Holes: Available with 0, 1, 2, 3, 4, 5 or 6, 1-1/2" diameter faucet holes 4" centers.
 Suffix "R" denotes small bowl is on right.



Model PSMR33224

OPTIONAL ACCESSORIES

Rinsing Baskets: LKRB1520, LKRB715 or LKERBSS.
 Bottom Grid: LKBG2015.
 Cutting Boards: CB816 or CB1516.
 These sinks comply with ANSI Standard A112.19.3M.

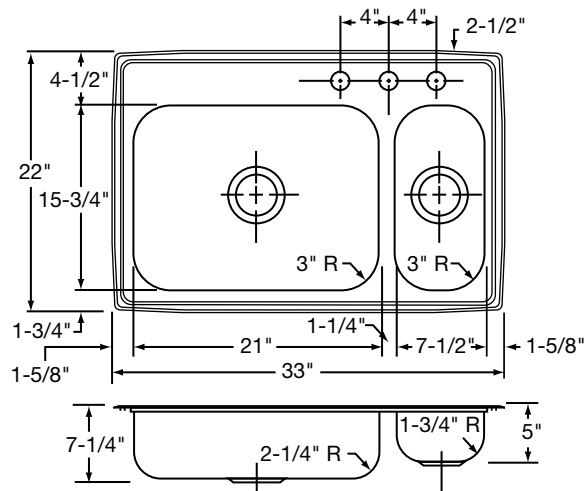
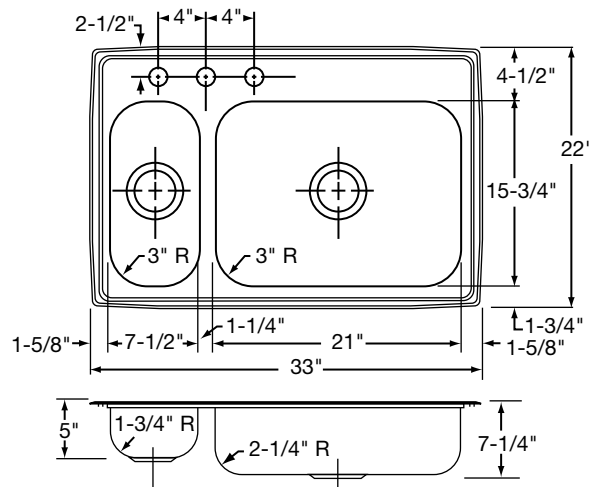


These sinks are listed by the International Association of Plumbing and Mechanical Officials as meeting the requirements of the Uniform Plumbing Code.

SINK DIMENSIONS (INCHES)*

Model Number	Overall		Inside Left Bowl			Inside Right Bowl			Cutout in Countertop (1 1/2" Radius Corners)		Ship. Wt. Lbs.
	L	W	L	W	D	L	W	D	L	W	
PSMR3322	33	22	7 1/2	15 3/4	5	21	15 3/4	7 1/4	32 3/8	21 3/8	15 1/2
PSMR3322R	33	22	21	15 3/4	7 1/4	7 1/2	15 3/4	5	32 3/8	21 3/8	15 1/2

*Length is left to right. Width is front to back.



ALL DIMENSIONS IN INCHES, TO CONVERT TO MILLIMETERS MULTIPLY BY 25.4.

In keeping with our policy of continuing product improvement, Elkay reserves the right to change product specifications without notice.

This specification describes an Elkay product with design, quality and functional benefits to the user. When making a comparison of other producers' offerings, be certain these features are not overlooked.