

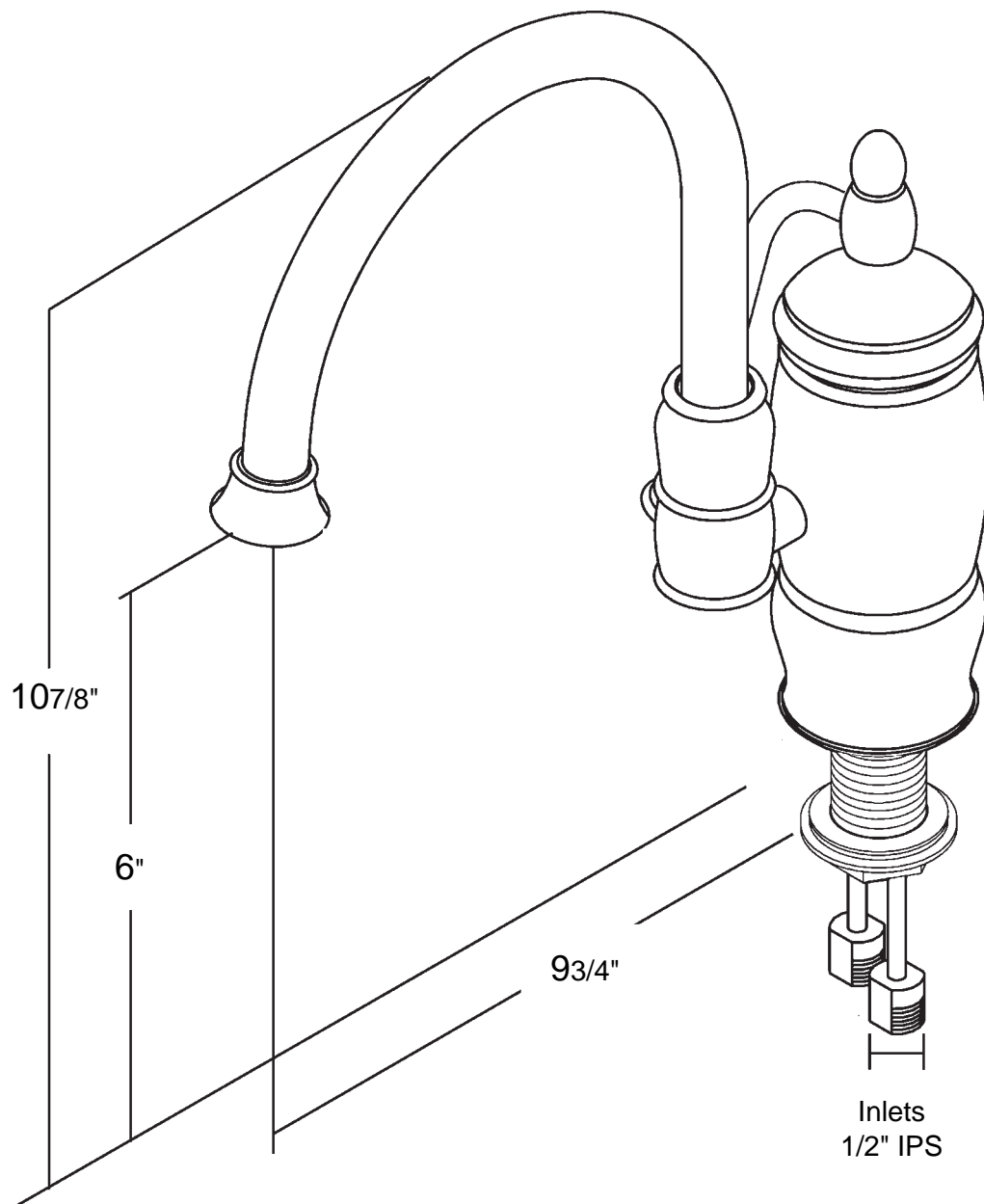
Belle Forêt
collection

Specification for **150 04**

Inlets: 1/2" IPS

Hole Drilling:
Body: 1 1/2"

Maximum Deck Thickness 1 3/8"



Revised 6/26/03