

Belle Forêt
collection

NKSD **SOAP DISPENSER**

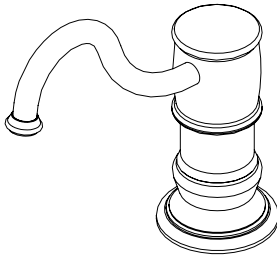
Product Features

Soap dispenser for kitchen faucet Installation

3-9/16" Spout reach

Solid brass construction

12.51 oz. Bottle



Available Finishes

Chrome

Polished Brass

Stainless Steel

Oil Rubbed Bronze

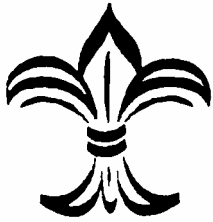
Matte Nickel

Weathered Copper

PRODUCT SPECIFICATION:

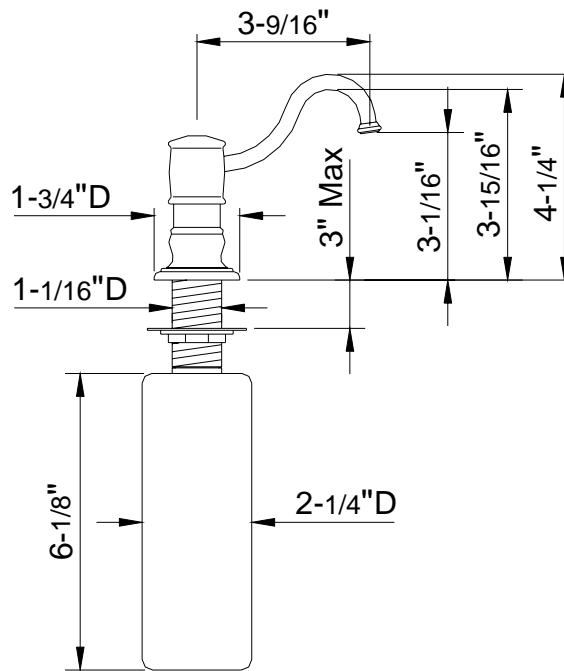
Soap dispenser shall have a brass body, plastic bottle and 3-9/16" spout. Product shall be able to be installed in any faucet deck or countertop up to 3" thick. Product shall be Belle Forêt model NKSD ____.

Revised 9/21/04



Belle Forêt
collection

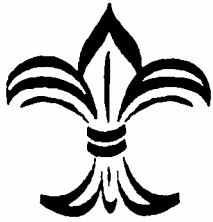
NKSD SOAP DISPENSER



Other Specifications

Hole diameter

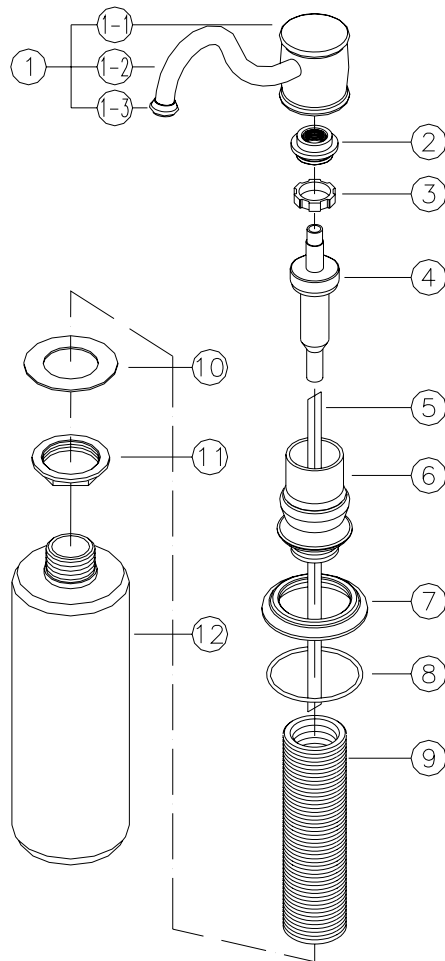
$1\text{-}\frac{1}{2}\text{"}$

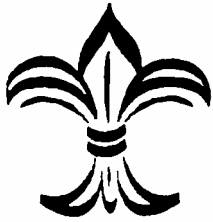


Belle Forêt
collection

NKSD SOAP DISPENSER

EXPLODED DRAWING





Belle Forêt
collection

NKSD SOAP DISPENSER

PARTS LISTING

No	Name	Kit / Part #	Qty
1	Nozzle assembly	N/A	1
1-1	Nozzle tube		1
1-2	Nozzle straw		1
1-3	Nozzle		1
2	Connector		1
3	Washer		1
4	Plastic pump	665315	1
5	Straw		1
6	Dispenser connector	N/A	1
7	Trim ring		1
8	O-RING		1
9	shank		1
10	Metal washer	663296	1
11	Lock nut		1
12	Bottle		1

xx designates finish matched parts.