

Pot Filler Installation Instructions For Model: KPT with lever and cross handle

KPT

Important notices before starting installation:

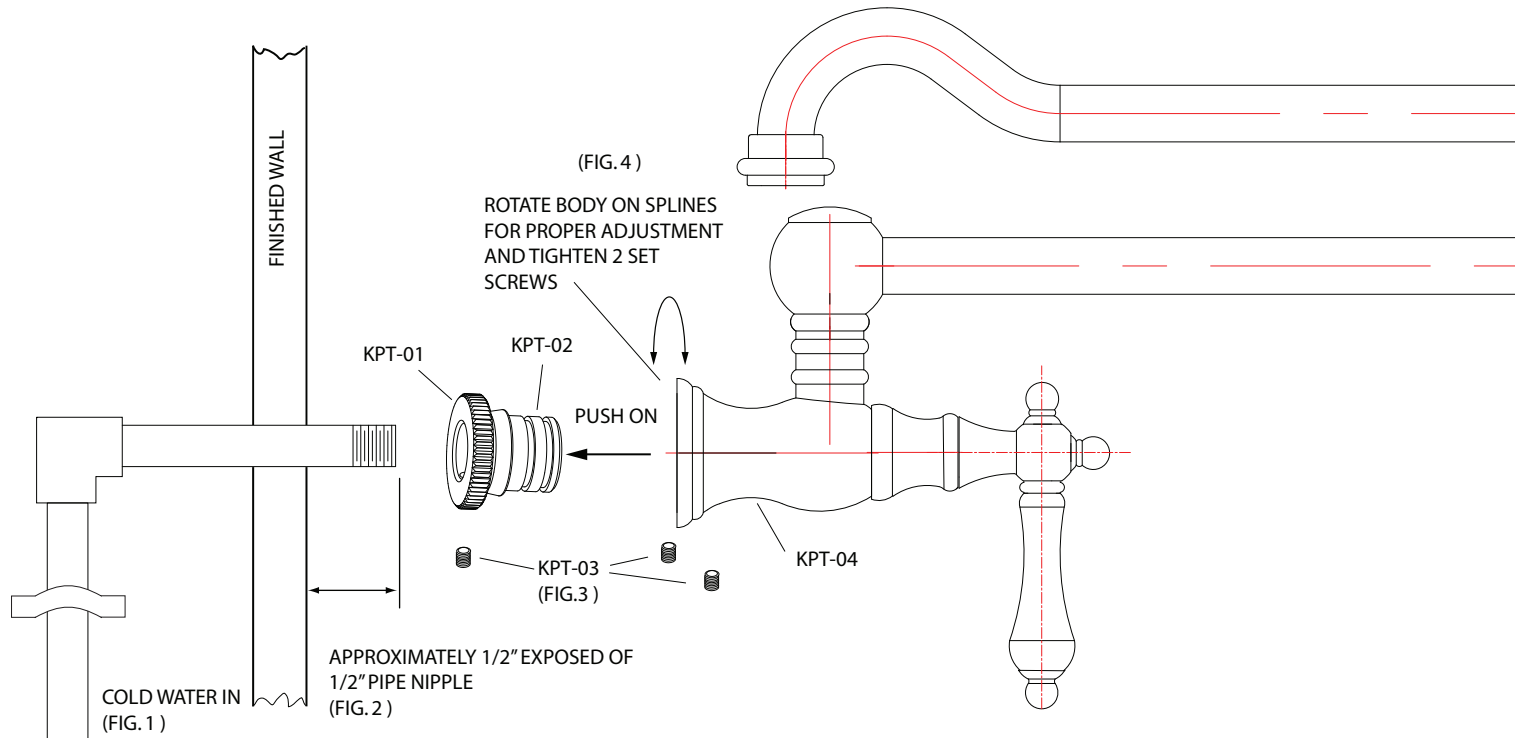
- This faucet must be installed by a qualified licensed plumber in accordance with all local city and state plumbing codes
- Customer is to determine installation height above stove or cook top
- Install a supply stop valve on cold water line where accessible then route water supply to the installation area
- Maximum operating pressure is 125 PSI
- Read entire instructions before installing

Step 1- Before installing the faucet the stove or cook top should be removed or covered in plastic to prevent any possible water damage. **Electric stoves** must have the circuit breaker in the off position.

Step 2- Strap 1/2" water supply to stud or backing inside wall to keep from moving (Fig. 1).

Step 3- Front face of 1/2" threaded pipe nipple should protrude approximately 1/2" beyond finished wall (Fig. 2).

Step 4- Apply Teflon tape to exposed pipe nipple then screw on quick connector **KPT-01**. The quick connector should be flush to finished wall when tight then tighten set screw **KPT-03** (Fig. 3) with wrench provided **KPT-11**.



Step 5- Rotate faucet until correct alignment is made (spout should be pointing straight down) then "push" the faucet body onto the quick connector over the two o-ring seals **KPT-02**. The splines inside the faucet body should line up with the splines on the quick connector.

Step 6- Tighten the two bottom set screws **KPT-03** on the faucet body.

IMPORTANT CLEANING NOTICE

To maintain your faucet use only mild soap and water

Never use acids, harsh abrasives or detergents

Giagni
collection

for more information call

888.560.5222 FAX 888.560.8727 Monday - Sunday 8:00am to 6:00pm EST

KPT



Pot Filler Installation Instructions For Model: KPT with lever and cross handle

KPT

Step 7- Install handle (see diagram below).

Step 8- Open supply stop valve and check for leaks.

Step 9- Remove aerator **KPT-10** and turn on faucet for approximately two minutes to flush any debris from the water line.
Run water into a large pan or bucket.

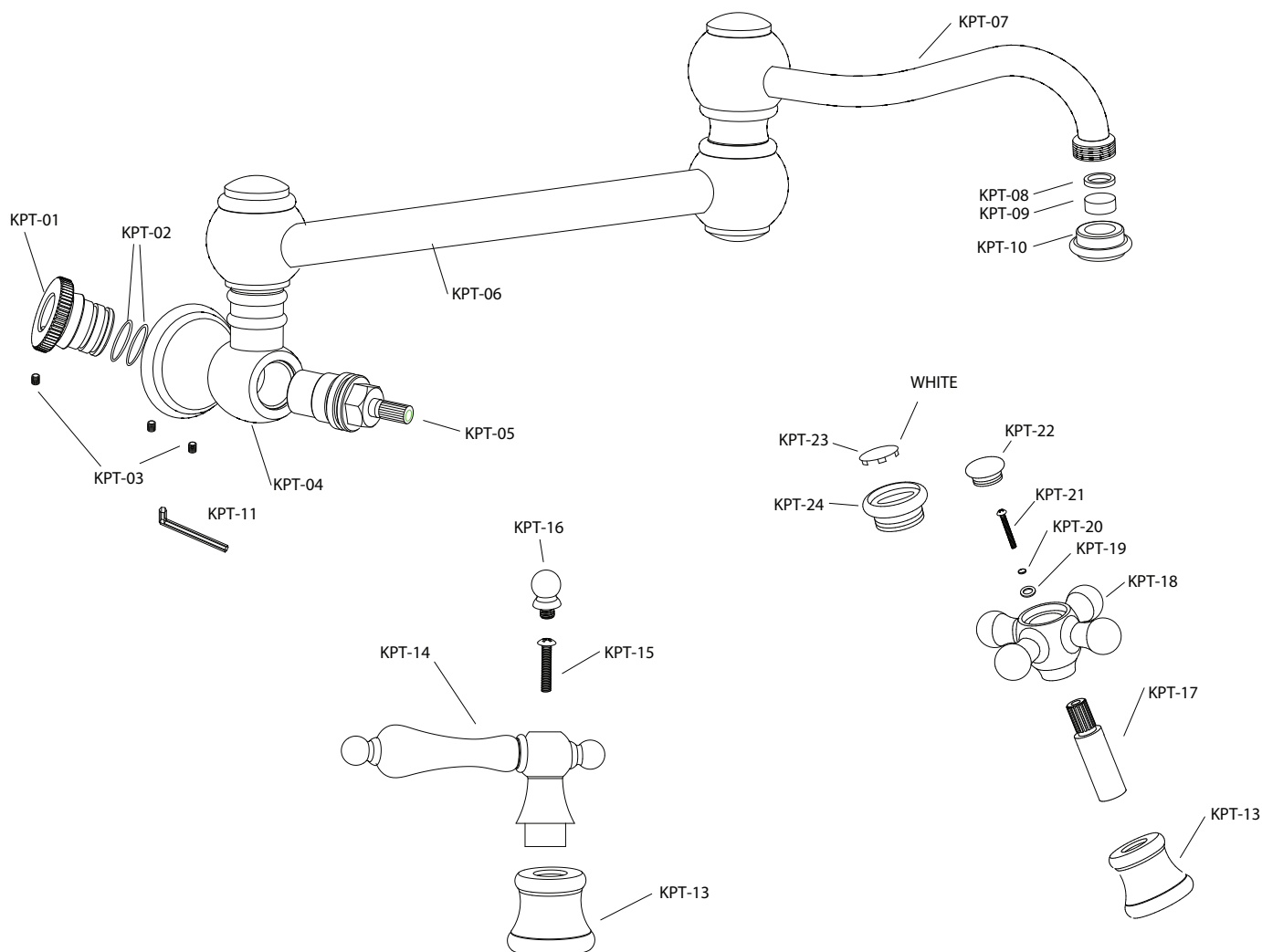
Step 10- Replace aerator and clean faucet with warm water and a soft cotton towel.

***Note-** If the ceramic cartridge **KPT-05** should ever need to be removed for cleaning or replacing:

Step 11- Turn off water supply valve and remove handle assembly.

Step 12- Unscrew ceramic cartridge **KPT-05** counter clockwise using a small crescent wrench and remove.

Step 13- Replace cartridge and handle assembly in reverse order.



IMPORTANT CLEANING NOTICE

To maintain your faucet use
only mild soap and water

Never use acids, harsh abrasives or detergents

Giagni
collection

for more information call

888.560.5222 FAX 888.560.8727 Monday - Sunday 8:00am to 6:00pm EST

