

**Celebrity® Single Bowl
Hospitality Sink Package
Model BCRA150C**



SPECIFICATIONS

GENERAL

Good quality Celebrity single bowl hospitality sink is seamlessly drawn of #20 gauge, type 304 (18-8) nickel bearing stainless steel. Self-rimming.

DESIGN FEATURES

- Bowl Depth: 6".
- Coved Corners: 2-1/4" vertical radius.
- Bowl and Faucet Deck Recess: 3/16" total recess below outside edge of sink.
- Finish: Exposed surfaces are machine polished to a highlighted bright finish.
- Underside: Fully undercoated to prevent condensation and deaden sound.

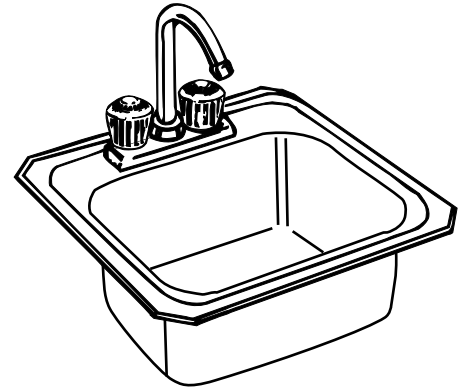
FITTINGS FURNISHED

- (1) LKA24790. Two handle faucet, 4-3/4" high* gooseneck swing spout.
- (1) LK58. Small basket strainer.

*Height: Deck to aerator.

OTHER

- Drain Opening: 2".
- Complies with ANSI Standard A112.19.3M.



Model BCRA150C



This sink is listed by the International Association of Plumbing and Mechanical Officials as meeting the requirements of the Uniform Plumbing Code.

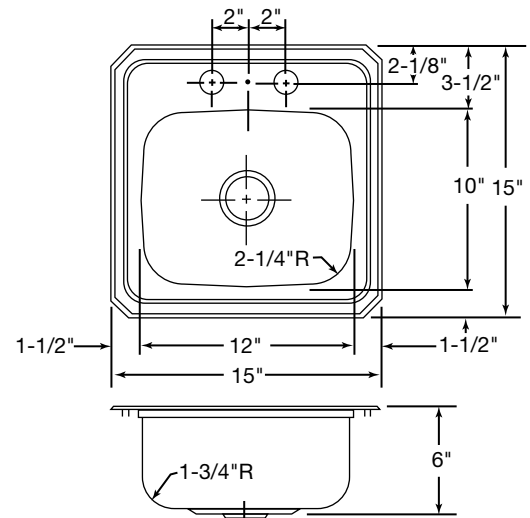


This sink is listed with the Canadian Standards Association.

SINK DIMENSIONS (INCHES)*

Model Number	Overall		Inside Bowl			Cutout in Countertop (1 1/2" Radius Corners)		No. of 1 1/4" Dia. Faucet Holes 4" Centers	Ship. Wt. Lbs.
	L	W	L	W	D	L	W		
BCRA150C	15	15	12	10	6	14 3/8	14 3/8	2	8

*Length is left to right. Width is front to back.



Model BCRA150C Illustrated

ALL DIMENSIONS IN INCHES, TO CONVERT TO MILLIMETERS MULTIPLY BY 25.4.

In keeping with our policy of continuing product improvement, Elkay reserves the right to change product specifications without notice.

This specification describes an Elkay product with design, quality and functional benefits to the user. When making a comparison of other producers' offerings, be certain these features are not overlooked.