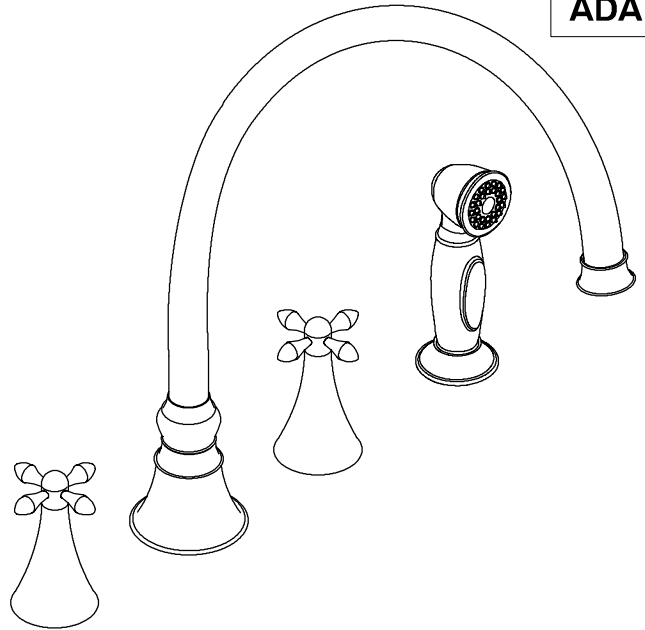


FEATURES

- Brass construction
- For 8" (20.3cm) centers
- Brass valve bodies
- Quarter-turn washerless ceramic disc valves
- 11-13/16" (30cm) swing spout
- 2.2 gallons (8.3L) per minute
- Cross handles
- Handspray
- Flexible connections

ADA



CODES/STANDARDS APPLICABLE

Specified model meets or exceeds the following:

- ASME/ANSI A112.18.1M
- Energy Policy Act of 1992
- IAPMO/UPC
- NSF 61

COLORS/FINISHES

- CB Polished Chrome with Polished Brass accents

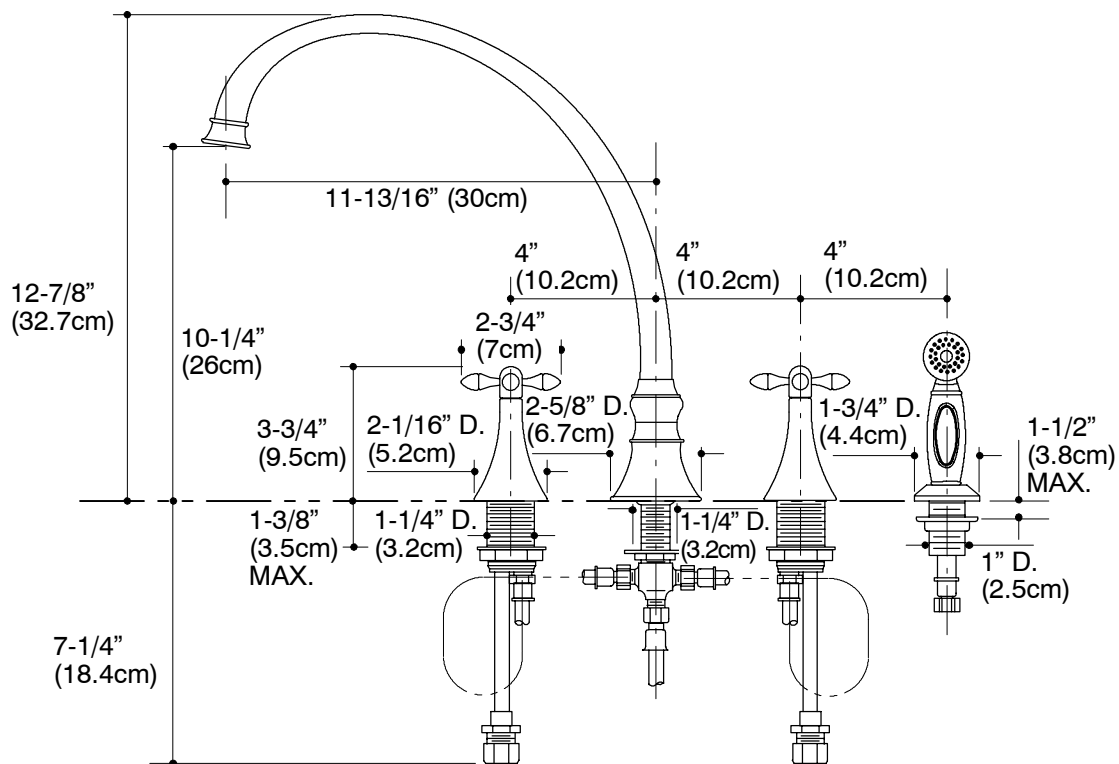
SPECIFIED MODEL:

Model	Description	
K-378-3	Finial Fundamentals kitchen sink faucet	<input type="checkbox"/> CB

PRODUCT SPECIFICATION:

Two-handle kitchen sink faucet shall be of brass construction. Faucet shall feature brass valve bodies. Faucet shall feature quarter-turn washerless ceramic disc valves, assuring positive handle stop positioning. Product shall include 8" (20.3cm) centers, 11-13/16" (30cm) swing spout, cross handles, handspray, and flexible connections. Faucet shall be Kohler Model K-378-3-_____.

FINIAL FUNDAMENTALS



PRODUCT DIAGRAM