

SELF-RIMMING ENTERTAINMENT SINK

K-3349

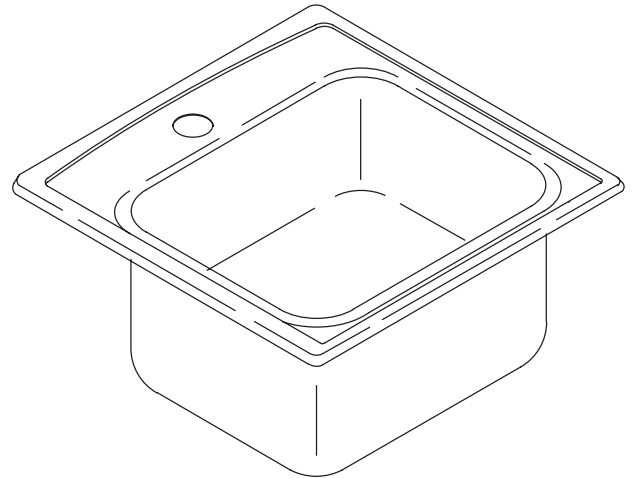
FEATURES

- 15"(38.1cm) x 15" (38.1cm)
- 19 gauge stainless steel
- Self-rimming
- Single compartment
- Single-hole (K-3349-1) or 2-hole (K-3349-2) faucet punching
- Includes installation hardware
- Highlighted bowl bead

CODES/STANDARDS APPLICABLE

Specified model meets or exceeds the following:

- ASME/ANSI A112.19.3M
- IAPMO/UPC



COLORS/FINISHES

- NA None Applicable

Accessories:

- CP Polished Chrome
- NA None Applicable
- Other Refer to Price Book for additional finishes

SPECIFIED MODEL:

Model	Description	Colors/Finishes	
K-3349-1	Single-hole sink	<input type="checkbox"/> NA	
K-3349-2	2-hole sink	<input type="checkbox"/> NA	
Optional Accessories			
K-8801	Duostrainer sink strainer	<input type="checkbox"/> CP	<input type="checkbox"/> Other_____

PRODUCT SPECIFICATION:

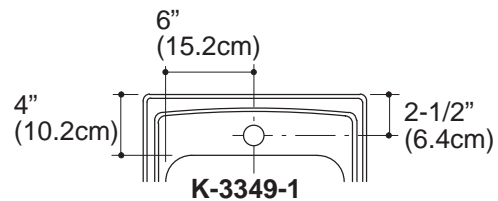
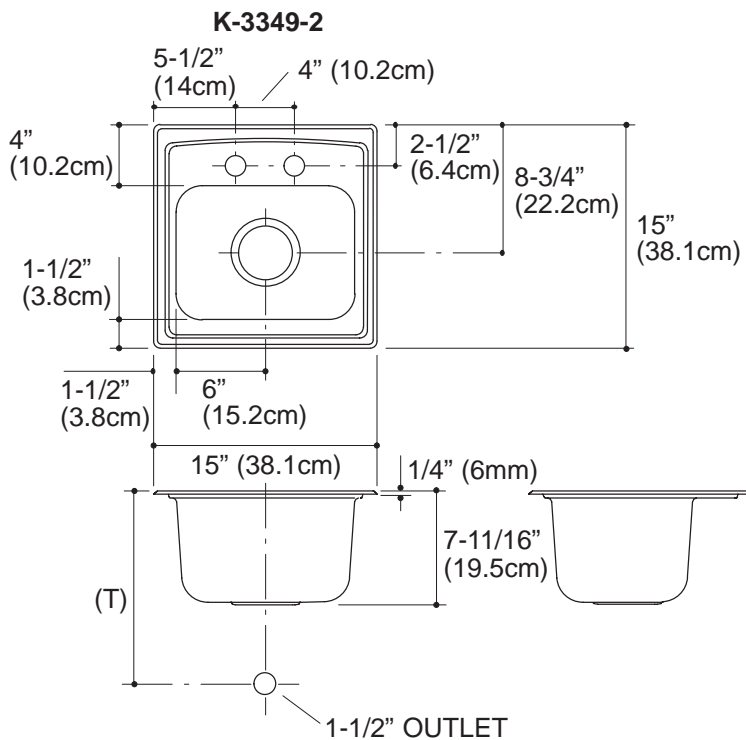
The self-rimming sink shall be 15" (38.1cm) in length, and 15" (38.1cm) in width. Sink shall be made of 19 gauge stainless steel. Sink shall be single compartment. Sink shall be single-hole (K-3349-1), or 2-hole (K-3349-2) faucet punched. Sink shall include installation hardware. Sink shall have highlighted bowl bead. Sink shall be Kohler Model K-3349-_____-_____-_____.

PRODUCT INFORMATION

Fixture*:		basin area	water depth
Sink		12" (30.5cm) x 9-1/2" (24.1cm)	7" (17.8cm)
Outlet	3-5/8" D. (9.2cm)		
Faucet holes	1-7/16" D. (3.7cm)		

* Approximate measurements for comparison only.

Included Components:	
Fastener kit	7256



(T) Drain typically 13-1/16" (33.2cm).	
Cutout	14-1/2" (36.8cm) x 14-1/2" (36.8cm) with 1/2" radius (1.3cm) corners.

1.25>116

PRODUCT DIAGRAM