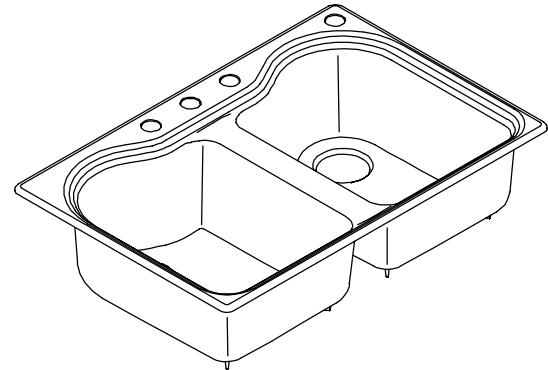


### SELF-RIMMING KITCHEN SINK

# K-5823

#### FEATURES

- 33" (83.8cm) x 22" (55.9cm)
- Cast iron
- Acid resistant enamel finish
- Self-rimming
- Double (equal) compartment
- 3-hole (K-5823-3) or 4-hole (K-5823-4) faucet punching



#### CODES/STANDARDS APPLICABLE

Specified model meets or exceeds the following:

- ASME/ANSI A112.19.1M
- IAPMO/UPC
- Canadian Standards Association (CSA)
- State of Massachusetts

#### COLORS/FINISHES

- 0 White
- Other Refer to Fixtures Price Book for additional colors

#### Accessories:

- 0 White
- NA None Applicable
- Other Refer to Fixtures Price Book for additional colors

#### SPECIFIED MODEL:

Model	Description	Colors/Finishes	
K-5823-3	3-hole sink	<input type="checkbox"/> 0 White	<input type="checkbox"/> Other _____
K-5823-4	4-hole sink	<input type="checkbox"/> 0 White	<input type="checkbox"/> Other _____

Optional Accessories			
K-5917	Hardwood countertop cutting board	<input type="checkbox"/> NA	
K-6559	Hardwood cutting board	<input type="checkbox"/> NA	
K-6016L	Bottom basin rack (Left basin)	<input type="checkbox"/> 0 White	<input type="checkbox"/> Other _____
K-6016R	Bottom basin rack (Right basin)	<input type="checkbox"/> 0 White	<input type="checkbox"/> Other _____
K-6603L	Wire rinse basket (Left basin)	<input type="checkbox"/> 0 White	<input type="checkbox"/> Other _____
K-6603R	Wire rinse basket (Right basin)	<input type="checkbox"/> 0 White	<input type="checkbox"/> Other _____

#### PRODUCT SPECIFICATION:

The self-rimming sink shall be 33" (83.8cm) in length, and 22" (55.9cm) in width. Sink shall be made of cast iron with acid resistant enamel finish. Sink shall be double (equal) compartment. Sink shall have 3-hole (K-5823-3) or 4-hole (K-5823-4) faucet punching. Sink shall be Kohler Model K-5823-\_\_\_\_\_ - \_\_\_\_\_.

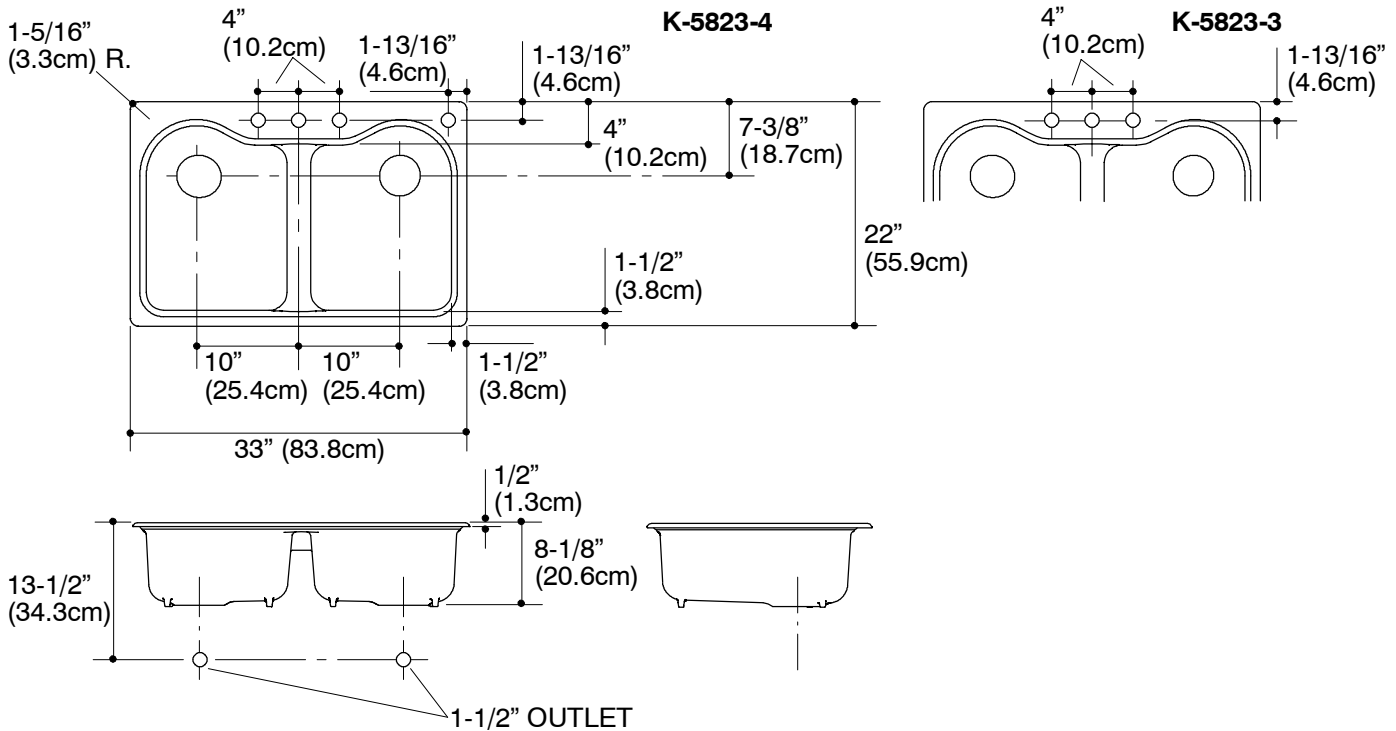
## PRODUCT INFORMATION

Fixture*:	basin area	water depth
Sinks	14" (35.6cm) x 18" (45.7cm)	7" (17.8cm)
Outlet	3-7/8" (9.8cm) D.	
Faucet and spout holes	1-3/8" (3.5cm) D.	
* Approximate measurements for comparison only.		

## INSTALLATION NOTES

Install this product according to the installation guide.

Cutout is 31-7/8" (81cm) x 20-3/4" (52.7cm) with 1-1/2" radius (3.8cm) corners.



## PRODUCT DIAGRAM