

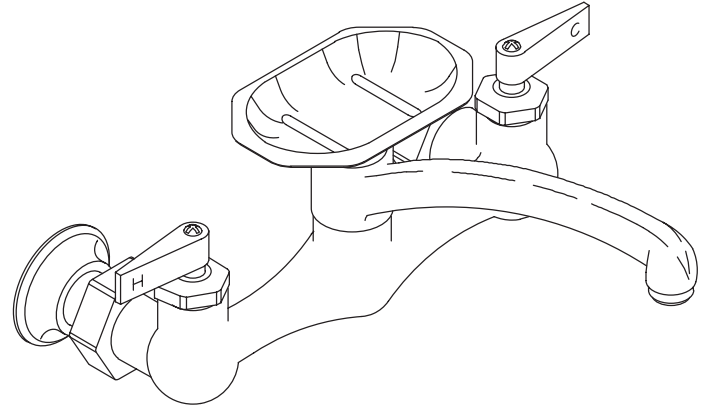
FEATURES

- Brass construction
- Brass valve bodies
- Valvet® valves
- Available with 8" (20.3cm) or 12" (30.5cm) spout
- Cross or lever handles
- For 8" (20.3cm) centers
- Optional soap dish

CODES/STANDARDS APPLICABLE

Specified model meets or exceeds the following:

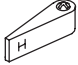


- ASME/ANSI A112.18.1M
- CSA B125 (K-7855, K-7856)
- Energy Policy Act of 1992
- IAPMO/UPC (K-7855, K-7856)
- NSF 61



COLORS/FINISHES

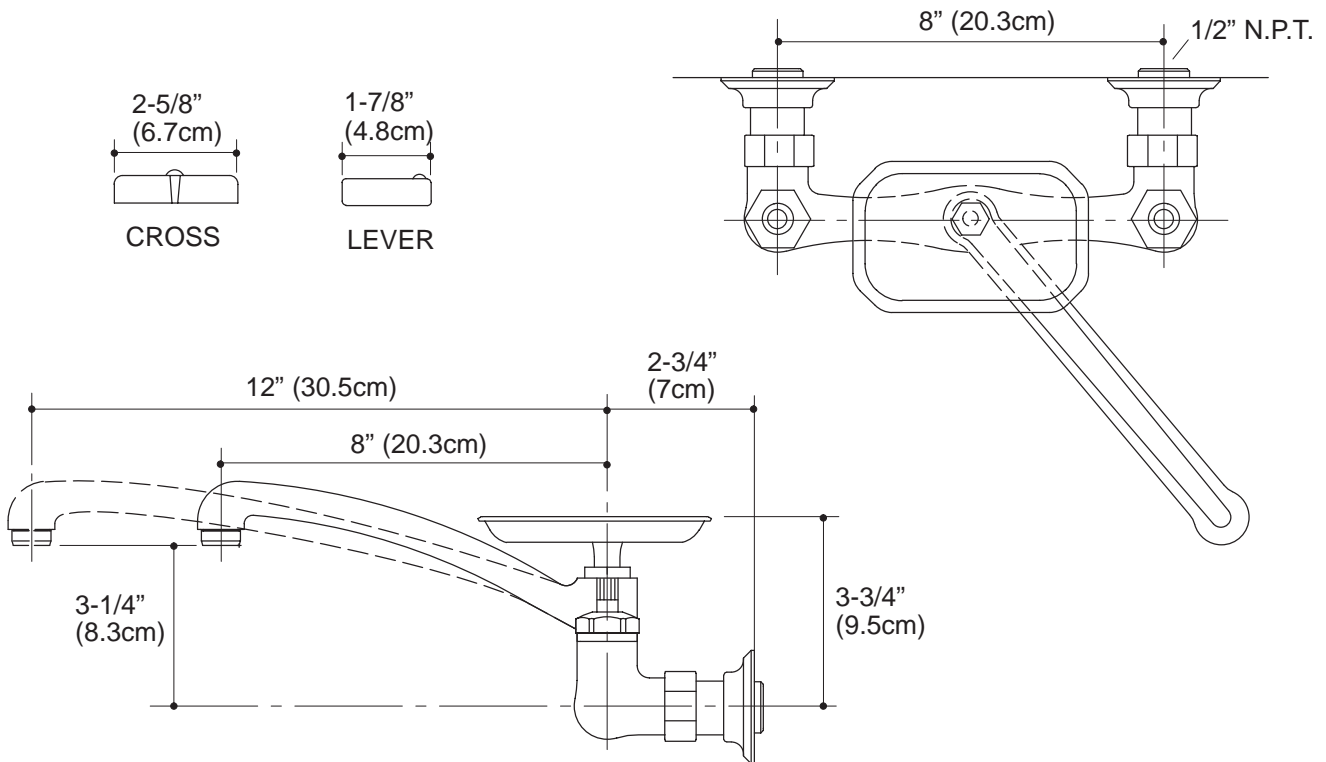
- CP Polished Chrome
- Other Refer to Faucets Price Book for additional finishes

SPECIFIED MODEL:

Model	Description	 	
K-7853	8" (20.3cm) Spout, Less Soap Dish, With Lever Handles	<input type="checkbox"/> CP	
K-7855-3	8" (20.3cm) Spout With Soap Dish and Cross Handles		<input type="checkbox"/> CP
K-7855-4	8" (20.3cm) Spout With Soap Dish and Lever Handles (shown)	<input type="checkbox"/> CP	
K-7856-3	12" (30.5cm) Spout With Soap Dish and Cross Handles		<input type="checkbox"/> CP
K-7856-4	12" (30.5cm) Spout With Soap Dish and Lever Handles	<input type="checkbox"/> CP	

PRODUCT SPECIFICATION:

Two-handle sink supply faucet shall be of brass construction. Faucet shall feature brass valve bodies. Faucet shall also feature Valvet valves. Product shall include 8" (20.3cm) centers, and cross or lever handles. Optional features shall include 8" (20.3cm) or 12" (30.5cm) swing spout, and with or without soap dish. Faucet shall be Kohler Model K-_____-_____-_____.



14

PRODUCT DIAGRAM