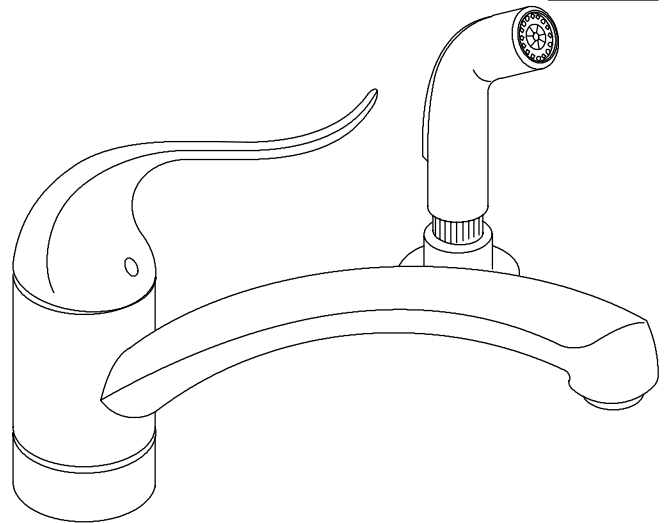


**KITCHEN SINK FAUCET  
K-15076**

**FEATURES**

- Metal construction
- One-piece self-contained ceramic disc valve allows both volume and temperature control
- Temperature memory allowing faucet to be turned on and off at any temperature setting
- High-temperature limit stop
- 9-1/4" (23.5cm) swing spout
- 2.2 gallons (8.3L) per minute
- Lever or loop handle
- Flexible connections
- Handspray

ADA



**CODES/STANDARDS APPLICABLE**

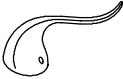

Specified model meets or exceeds the following:

- ASME A112.18.1
- CSA B125
- IAPMO/UPC
- NSF 61

**COLORS/FINISHES**

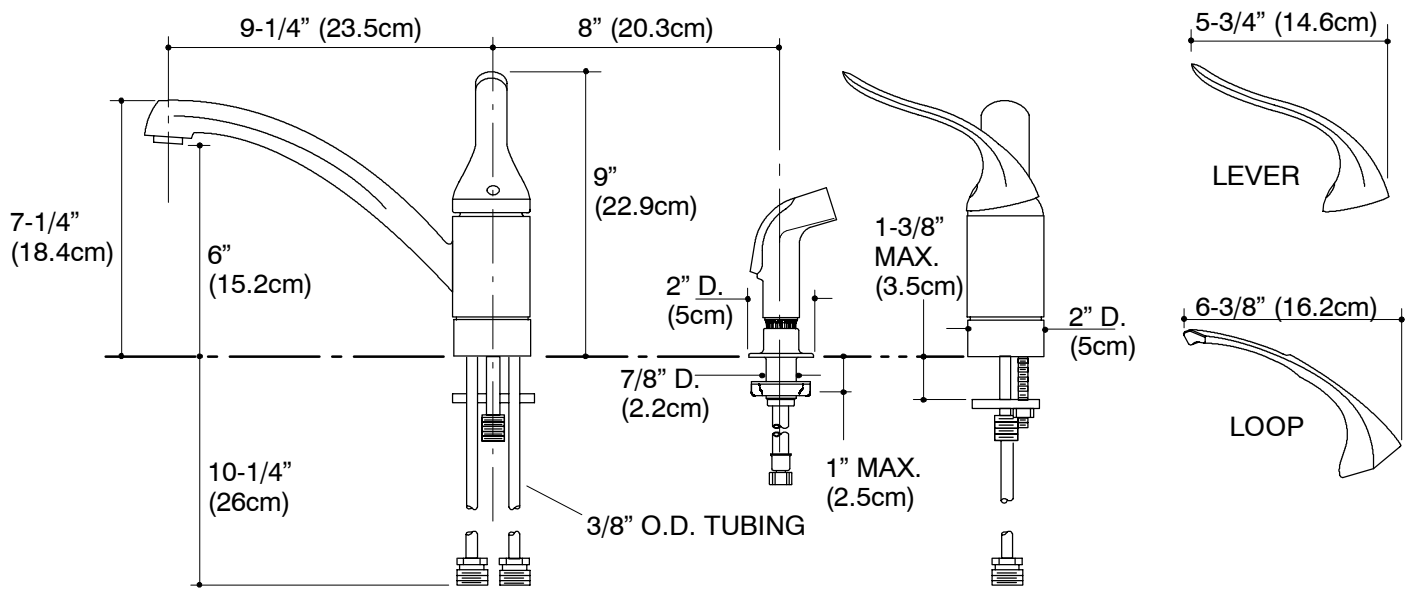
- CP Polished Chrome
- PB Polished Brass
- Other Refer to Price Book for additional finishes

**SPECIFIED MODEL:**

Model	Description	 ADA	 ADA
K-15076-P	9-1/4" (23.5cm) Swing Spout and Lever Handle	<input type="checkbox"/> CP <input type="checkbox"/> PB <input type="checkbox"/> Other_____	
K-15076-FL	9-1/4" (23.5cm) Swing Spout and Loop Handle		<input type="checkbox"/> CP <input type="checkbox"/> PB <input type="checkbox"/> Other_____

NOTE: All faucets, except white and polished brass, come with black handspray and matching finish trim ring. White and polished brass faucets come with white handspray.

**PRODUCT SPECIFICATION:**  
Single-control kitchen sink faucet shall be of metal construction. The valve shall be a one-piece, self-contained ceramic disc valve, and allows both volume and temperature control. The valve shall feature temperature memory, allowing the faucet to be turned on and off at any temperature setting, and includes a high-temperature limit stop. Product shall include 9-1/4" (23.5cm) swing spout, lever or loop handle, flexible connections, and handspray. Faucet shall be Kohler Model K-15076-\_\_\_\_-\_\_\_\_\_.



**PRODUCT DIAGRAM**