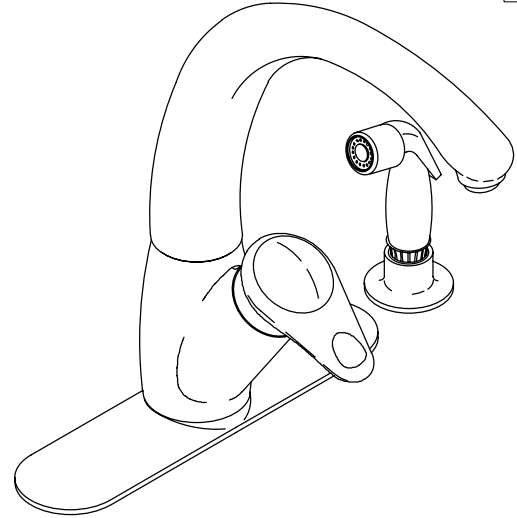


**KITCHEN SINK FAUCET
K-6356
ALSO K-6354**

ADA

FEATURES

- Brass construction
- One-piece self-contained ceramic disc valve allows both volume and temperature control
- Temperature memory allowing faucet to be turned on and off at any temperature setting
- High-temperature limit stop
- 9" gooseneck swing spout
- 2.2 gallons per minute
- Front lever handle
- Available with or without handspray
- 10-1/2" escutcheon plate for three-hole installations



CODES/STANDARDS APPLICABLE

Specified model meets or exceeds the following:

- ASME/ANSI A112.18.1M
- CSA B125
- Energy Policy Act of 1992
- IAPMO/UPC
- Listed in States of New York, Michigan, and Wisconsin
- NSF 61

COLORS/FINISHES

- CP Polished Chrome
- Other Refer to Faucets Price Book for additional finishes

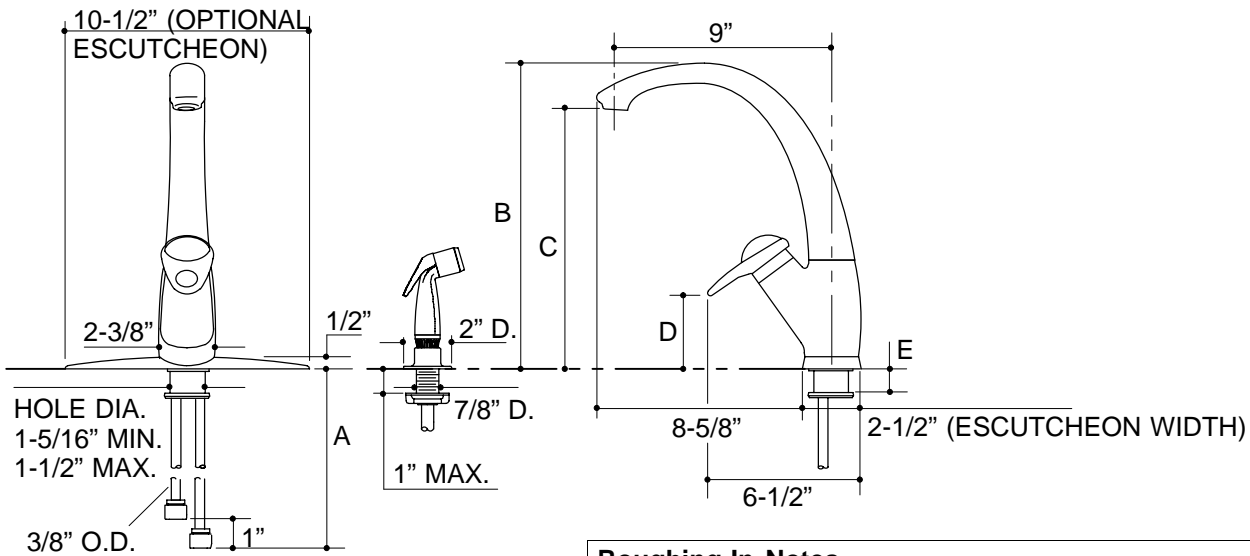
SPECIFIED MODEL:

Model	Description		
K-6354	Less Handspray	<input type="checkbox"/> CP	<input type="checkbox"/> Other_____
K-6356	With Handspray*	<input type="checkbox"/> CP	<input type="checkbox"/> Other_____

*NOTE: White faucets have white handspray; Almond and Polished Chrome faucets have black handspray with matching finish trim ring.

PRODUCT SPECIFICATION:

Single-control kitchen sink faucet shall be of brass construction. The valve shall be a one-piece, self-contained ceramic disc valve, and allows both volume and temperature control. The valve shall feature temperature memory, allowing the faucet to be turned on and off at any temperature setting, and includes a high-temperature limit stop. Product shall include 9" gooseneck swing spout, front lever handle, and 10-1/2" escutcheon for three-hole installations. Optional feature shall be with or without handspray. Faucet shall be Kohler Model K-_____-_____.



Roughing-In Notes					
	A	B	C	D	E
With escutcheon	11-1/8"	13"	10-7/8"	3-1/8"	2-5/8"
Without escutcheon	11-5/8"	12-1/2"	10-3/8"	2-5/8"	3-1/8"

PRODUCT DIAGRAM