

**KITCHEN SINK FAUCET**  
**K-6352**  
**ALSO K-6353**

**ADA**

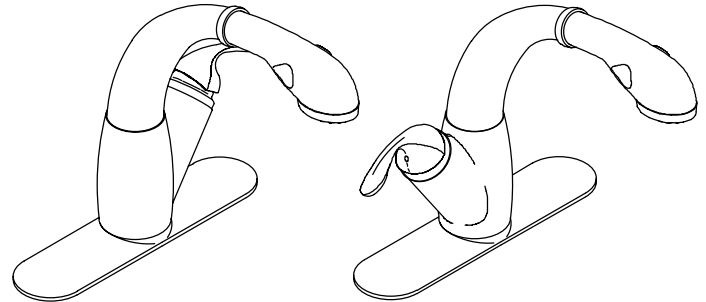
**FEATURES**

- Brass construction
- Single-hole mounting
- One-piece self-contained ceramic disc valve allows both volume and temperature control
- Temperature memory allowing faucet to be turned on and off at any temperature setting
- High-temperature limit stop
- 9-1/4" high-arch swing spout with integral spray and retractable hose
- 2.2 gallons per minute
- Available with right- or left-side lever handle
- Integral vacuum breaker
- Touch control for stream-to-spray water flow
- Sprayhead is available in a variety of colors
- 10-1/2" escutcheon plate for three-hole installations

**CODES/STANDARDS APPLICABLE**

Specified model meets or exceeds the following:

- ASME/ANSI A112.18.1M
- CSA B125
- Energy Policy Act of 1992
- IAPMO/UPC
- NSF 61
- Listed in States of New York, Michigan, and Wisconsin



K-6352

K-6353

**COLORS/FINISHES**

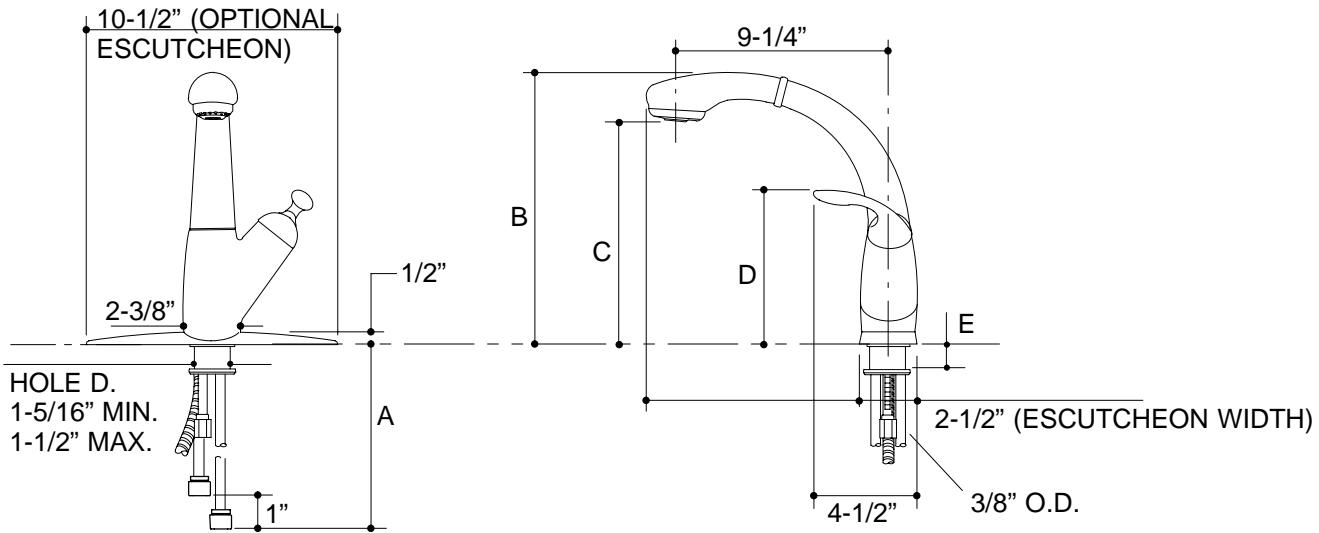
- CP Polished Chrome
- PB Polished Brass
- Other Refer to Faucets Price Book for additional finishes

**SPECIFIED MODEL:**

Model	Description			
<b>Right-Side Handle:</b>				
K-6352	With Matching Color Sprayhead	<input type="checkbox"/> CP		<input type="checkbox"/> Other_____
K-6352-AP	With Polished Chrome Body and White Sprayhead	<input type="checkbox"/> CP		
K-6352-MP	With Polished Chrome Body and Almond Sprayhead	<input type="checkbox"/> CP		
K-6352-BP	With Black Sprayhead	<input type="checkbox"/> CP	<input type="checkbox"/> PB	
<b>Left-Side Handle:</b>				
K-6353	With Matching Color Sprayhead	<input type="checkbox"/> CP		<input type="checkbox"/> Other_____
K-6353-AP	With Polished Chrome Body and White Sprayhead	<input type="checkbox"/> CP		
K-6353-MP	With Polished Chrome Body and Almond Sprayhead	<input type="checkbox"/> CP		
K-6353-BP	With Black Sprayhead	<input type="checkbox"/> CP	<input type="checkbox"/> PB	

**PRODUCT SPECIFICATION:**

Single-control pull-out spray kitchen sink faucet shall be of brass construction. The valve shall be a one-piece, self-contained ceramic disc valve, and allows both volume and temperature control. The valve shall feature temperature memory, allowing the faucet to be turned on and off at any temperature setting, and includes a high-temperature limit stop. Product shall include 9-1/4" high-arch swing spout with sprayhead, retractable hose, integral vacuum breaker, and 10-1/2" escutcheon for three-hole installations. Optional feature shall be a right- or left-side lever handle. Faucet shall be Kohler Model K-\_\_\_\_\_ - \_\_\_\_\_ - \_\_\_\_\_.



NOTE: DIMENSIONS ALSO APPLY TO K-6353, LEFT-SIDE LEVER

Roughing-In Notes					
	A	B	C	D	E
With escutcheon	10-3/4"	11-5/8"	9-3/8"	6-1/2"	2-5/8"
Without escutcheon	11-1/4"	11-1/8"	8-7/8"	6"	3-1/8"

## PRODUCT DIAGRAM