

SELF-RIMMING KITCHEN SINK

K-3258

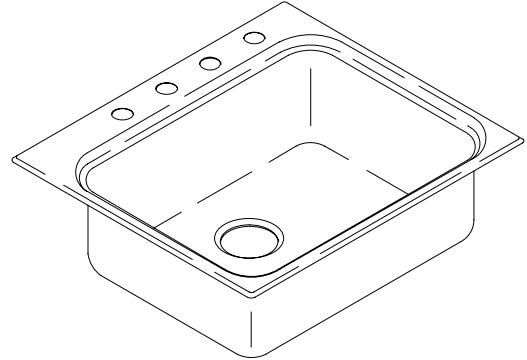
FEATURES

- 25" x 22"
- 18 gauge stainless steel
- Self-rimming
- Single compartment
- Includes installation hardware

CODES/STANDARDS APPLICABLE

Specified model meets or exceeds the following:

- IAPMO/UPC
- Canadian Standards Association (CSA)
- State of Massachusetts



COLORS/FINISHES

- NA None Applicable

Accessories:

- 0 White
- CP Polished Chrome
- NA None Applicable
- Other Refer to Price Book for additional finishes

SPECIFIED MODEL:

Model	Description	Colors/Finishes
	3-hole sink	<input type="checkbox"/> NA
	4-hole sink	<input type="checkbox"/> NA
	Single-hole sink	<input type="checkbox"/> NA

Optional Accessories			
K-3192	Bottom basin rack	<input type="checkbox"/> 0 White	<input type="checkbox"/> Other_____
K-3277	Wire rinse basket	<input type="checkbox"/> 0 White	<input type="checkbox"/> Other_____
K-3294	Hardwood cutting board		<input type="checkbox"/> NA
K-8801	Duostrainer sink strainer	<input type="checkbox"/> CP	<input type="checkbox"/> Other_____

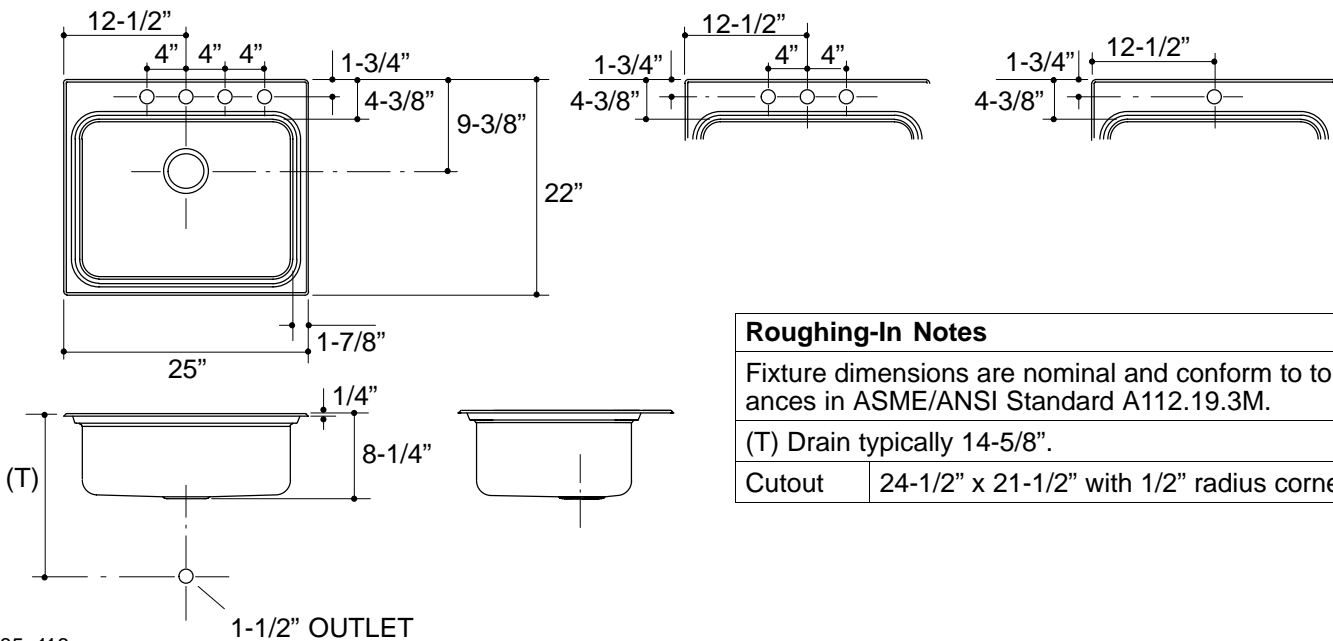
PRODUCT SPECIFICATION:

The self-rimming sink shall be 25" in length, and 22" in width. Sink shall be made of 18 gauge stainless steel. Sink shall be single compartment. Sink shall include installation hardware. Sink shall be Kohler Model K-3258-_____-_____.

BALLAD

PRODUCT INFORMATION

Fixture*:		basin area	water depth
Sink		21" x 16"	8"
Outlet	3-5/8" D.		
Faucet holes	1-7/16" D.		
* Approximate measurements for comparison only.			
Included Components:			
Fastener pack		90208	



Roughing-In Notes

Fixture dimensions are nominal and conform to tolerances in ASME/ANSI Standard A112.19.3M.

(T) Drain typically 14-5/8".

Cutout 24-1/2" x 21-1/2" with 1/2" radius corners.

.85>116

PRODUCT DIAGRAM