

SELF-RIMMING OR UNDERCOUNTER KITCHEN SINK

K-6586

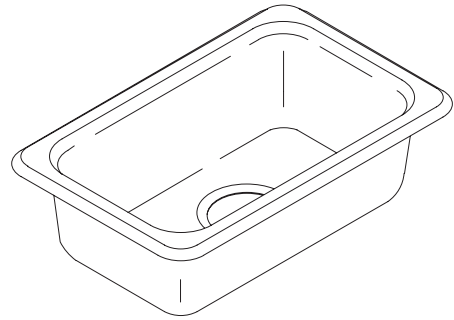
FEATURES

- 12" (30.5cm) x 18-3/4" (47.6cm) (self-rimming) or 9" (22.9cm) x 15-3/4" (40cm) (undercounter mount)
- Cast iron
- Acid resistant enamel finish
- Self-rimming or undercounter mount
- Single compartment

CODES/STANDARDS APPLICABLE

Specified model meets or exceeds the following:

- ASME/ANSI A112.19.1M
- IAPMO/UPC



COLORS/FINISHES

- 0 White
- Other Refer to Fixtures Price Book for additional colors

Accessories:

- CP Polished Chrome
- Other Refer to Faucets Price Book for additional finishes

SPECIFIED MODEL:

Model	Description	Colors/Finishes	
K-6586	Kitchen sink	<input type="checkbox"/> 0 White	<input type="checkbox"/> Other_____
Optional Accessories			
K-8801	Duostrainer sink strainer	<input type="checkbox"/> CP	<input type="checkbox"/> Other_____

PRODUCT SPECIFICATION:

The self-rimming sink shall be 12" (30.5cm) in length, and 18-3/4" (47.6cm) in width, or the undercounter mount sink shall be 9" (22.9cm) in length, and 15-3/4" (40cm) in width. Sink shall be made of cast iron with acid resistant enamel finish. Sink shall be single compartment. Sink shall be Kohler Model K-6586-_____.

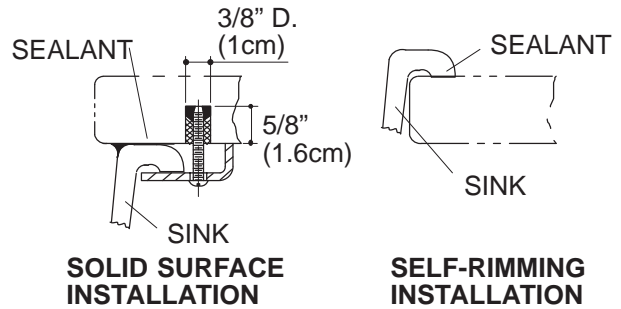
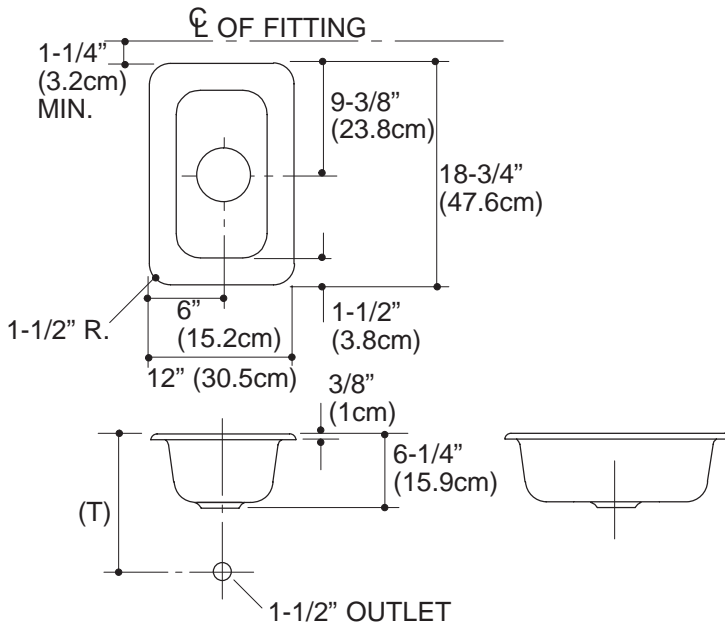
IRON/TONES™

PRODUCT INFORMATION

Fixture*:		basin area	water depth
Sink		9" (22.9cm) x 16" (40.6cm)	5-1/2" (14cm)
Outlet	3-7/8" D. (9.8cm)		

* Approximate measurements for comparison only.

Included Components:	
Basin clamp accessory pack	52047
Cutout template	114334-7



Roughing-In Notes
(T) Drain typically 11-1/2" (29.2cm).
Supplied basin clamp assemblies require 1" (2.5cm) minimum countertop thickness. Installer must supply hardware for thinner countertops.
For multiple bowl undercounter installations, a minimum distance of 3-3/8" (8.6cm) is required between bowls. Countertop supplier to determine required support.

PRODUCT DIAGRAM