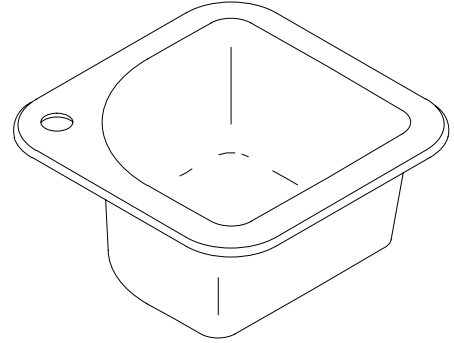


SELF-RIMMING ENTERTAINMENT SINK

K-5901

FEATURES

- 15" x 15"
- Cast iron
- Acid resistant enamel finish
- Self-rimming
- Single compartment
- Single-hole drilling



CODES/STANDARDS APPLICABLE

Specified model meets or exceeds the following:

- ASME/ANSI A112.19.1M
- IAPMO/UPC
- Canadian Standards Association (CSA)

COLORS/FINISHES

- 0 White
- Other Refer to Fixtures Price Book for additional colors

Accessories:

- CP Polished Chrome
- NA None Applicable
- Other Refer to Price Book for additional finishes

SPECIFIED MODEL:

Model	Description	Colors/Finishes	
K-5901-1	Single-hole sink	<input type="checkbox"/> 0 White	<input type="checkbox"/> Other_____
Optional Accessories			
K-5906	Hardwood cutting board		<input type="checkbox"/> NA
K-8801	Duostrainer sink strainer	<input type="checkbox"/> CP	<input type="checkbox"/> Other_____

PRODUCT SPECIFICATION:

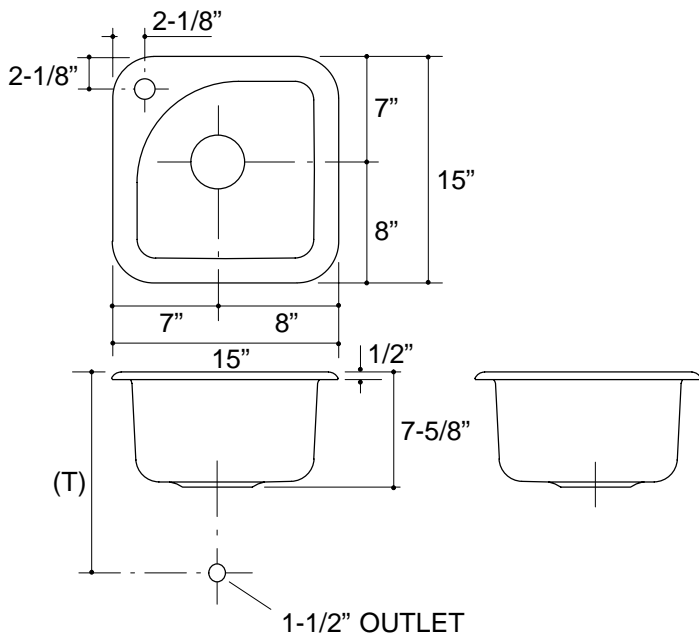
The self-rimming entertainment sink shall be 15" in length, and 15" in width. Sink shall be made of cast iron with acid resistant enamel finish. Sink shall be single compartment. Sink shall be single-hole drilled. Sink shall be Kohler Model K-5901-1-_____.

SORBET™

PRODUCT INFORMATION

Fixture*:		basin area	water depth
Sink		12" x 12"	7"
Outlet	3-5/8" D.		
Faucet holes	1-3/8" D.		

* Approximate measurements for comparison only.



Roughing-In Notes	
(T) Drain typically 13".	
Cutout	13-3/4" x 13-3/4" with 2-1/8" radius corners.

1.25>116

PRODUCT DIAGRAM