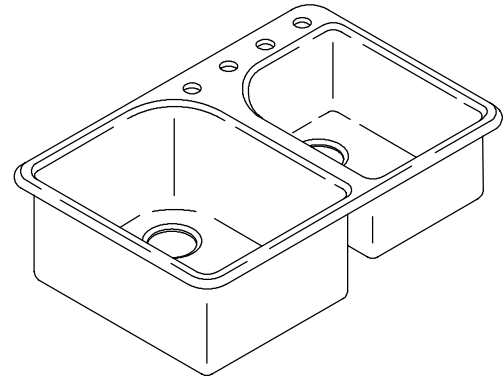


#### FEATURES

- 33" (83.3cm) x 22" (55.9cm)
- Cast iron
- Acid resistant enamel finish
- Self-rimming
- Double (large/medium) compartment
- 4-hole drilling



#### CODES/STANDARDS APPLICABLE

Specified model meets or exceeds the following:

- ASME/ANSI A112.19.1M
- IAPMO/UPC
- Canadian Standards Association (CSA)
- State of Massachusetts

#### COLORS/FINISHES

- 0 White
- Other Refer to Price Book for additional colors

#### Accessories:

- CP Polished Chrome
- 0 White
- NA None Applicable
- Other Refer to Price Book for additional colors

#### SPECIFIED MODEL:

Model	Description	Colors/Finishes	
		<input type="checkbox"/> 0 White	<input type="checkbox"/> Other _____
K-5932-4	4-hole sink	<input type="checkbox"/> 0 White	<input type="checkbox"/> Other _____

Recommended Accessories			
K-9000	Trap	<input type="checkbox"/> CP	

Optional Accessories			
K-6001	Bottom basin rack (for left basin only)	<input type="checkbox"/> 0 White	<input type="checkbox"/> Other _____
K-6515	Cutting board	<input type="checkbox"/> 0 White	<input type="checkbox"/> NA
K-5999	Wire rinse basket (for right basin only)	<input type="checkbox"/> 0 White	<input type="checkbox"/> Other _____
K-8801	Duostrainer sink strainer	<input type="checkbox"/> CP	<input type="checkbox"/> Other _____

#### PRODUCT SPECIFICATION:

The self-rimming sink shall be 33" (83.3cm) in length, and 22" (55.9cm) in width. Sink shall be made of cast iron with acid resistant enamel finish. Sink shall be double (large/medium) compartment. Sink shall be 4-hole drilled. Sink shall be Kohler Model K-5932-4-\_\_\_\_\_.

# EXECUTIVE CHEF™

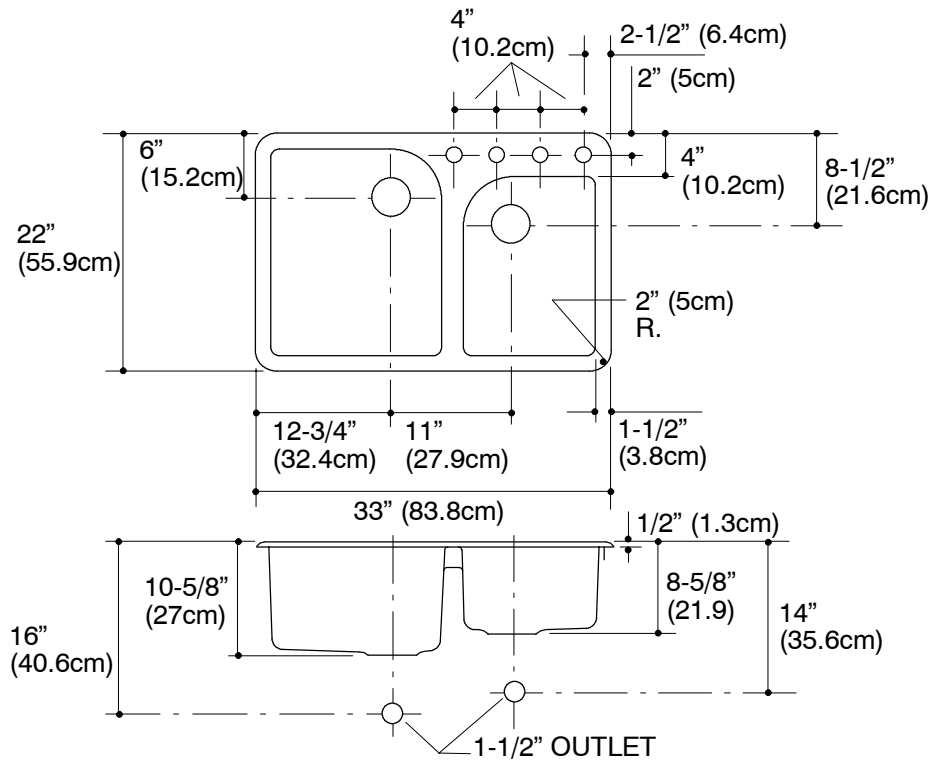
## PRODUCT INFORMATION

Fixture*:		basin area	water depth
Sink, small		12" (30.5cm) x 17" (43.2cm)	7-3/4" (19.7cm)
Sink, large		16" (40.6cm) x 19" (48.3cm)	9-3/4" (24.8cm)
Outlet	3-5/8" (9.2cm) D.		
Faucet holes	1-3/8" (3.5cm) D.		
* Approximate measurements for comparison only.			

## INSTALLATION NOTES

Install this product according to the installation guide.

Cutout is 31-7/8" (81cm) x 20-3/4" (52.7cm) with 1-1/2" radius (3.8cm) corners.



## PRODUCT DIAGRAM