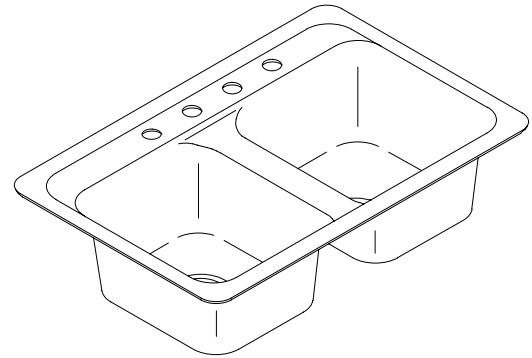


TILE-IN OR METAL FRAME KITCHEN SINK

K-5950

FEATURES

- 32" x 21"
- Cast iron
- Acid resistant enamel finish
- Tile-in or metal frame installation
- Double (equal) compartment
- 5-hole (K-5950-5), 4-hole (K-5950-4), or 3-hole (K-5950-3) drilling



CODES/STANDARDS APPLICABLE

Specified model meets or exceeds the following:

- ASME/ANSI A112.19.1M
- IAPMO/UPC
- Canadian Standards Association (CSA)
- State of Massachusetts

COLORS/FINISHES

- 0 White
- Other Refer to Fixtures Price Book for additional colors

Accessories:

- CP Polished Chrome
- Other Refer to Price Book for additional finishes
- NA None Applicable

SPECIFIED MODEL:

Model	Description	Colors/Finishes	
K-5950-5	5-hole sink	<input type="checkbox"/> 0 White	<input type="checkbox"/> Other_____
K-5950-4	4-hole sink	<input type="checkbox"/> 0 White	<input type="checkbox"/> Other_____
K-5950-3	3-hole sink	<input type="checkbox"/> 0 White	<input type="checkbox"/> Other_____

Recommended Accessories			
K-9000	Trap	<input type="checkbox"/> CP	
Optional Accessories			
K-6601	Metal frame	<input type="checkbox"/> NA	
K-8801	Duostrainer sink strainer	<input type="checkbox"/> CP	<input type="checkbox"/> Other_____

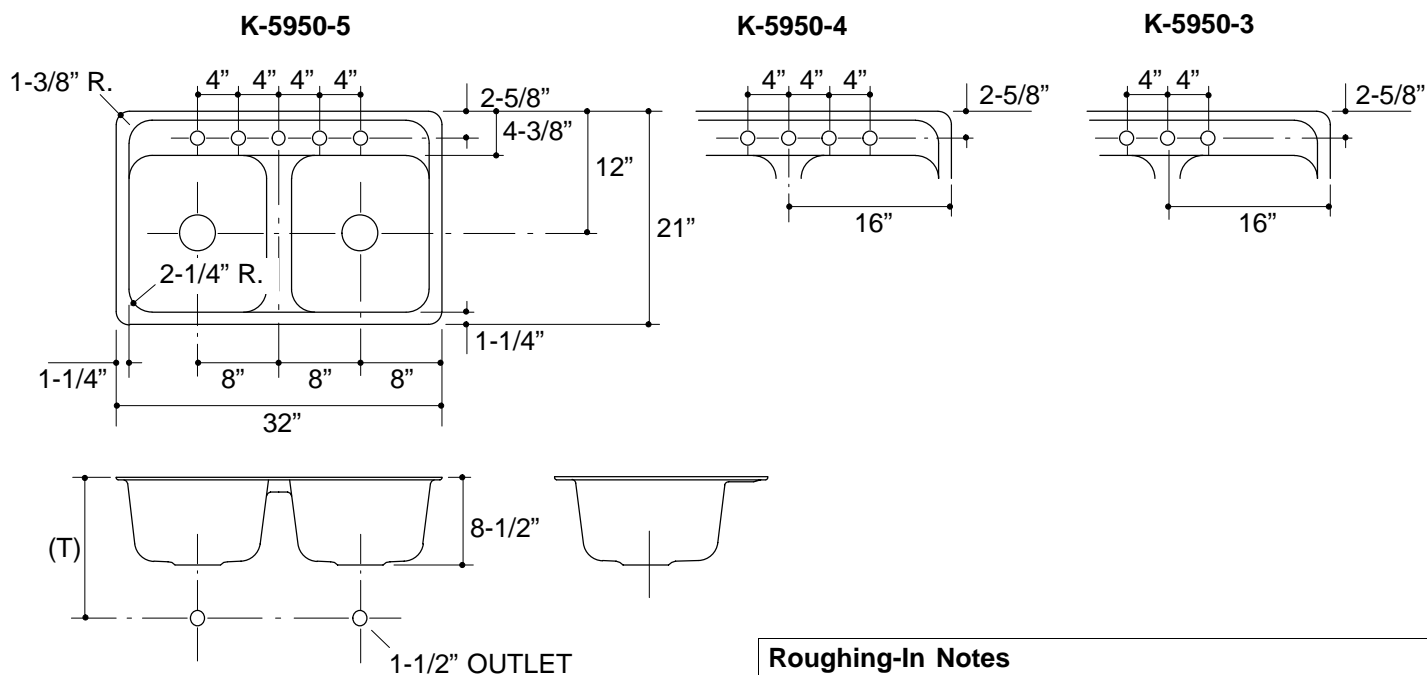
PRODUCT SPECIFICATION:

The tile-in or metal frame installation sink shall be 32" in length, and 21" in width. Sink shall be made of cast iron with acid resistant enamel finish. Sink shall be double (equal) compartment. Sink shall be 5-hole (K-5950-5), 4-hole (K-5950-4), or 3-hole (K-5950-3) drilled. Sink shall be Kohler Model K-5950-_____-_____-_____.

PRODUCT INFORMATION

Fixture*:		basin area	water depth
Sinks		14" x 15"	6-3/4"
Outlet	3-5/8" D.		
Faucet holes	1-3/8" D.		

* Approximate measurements for comparison only.



Roughing-In Notes

(T) Drain typically 13-7/8".

Cutout Metal frame required.

.85<116

PRODUCT DIAGRAM