

### Features

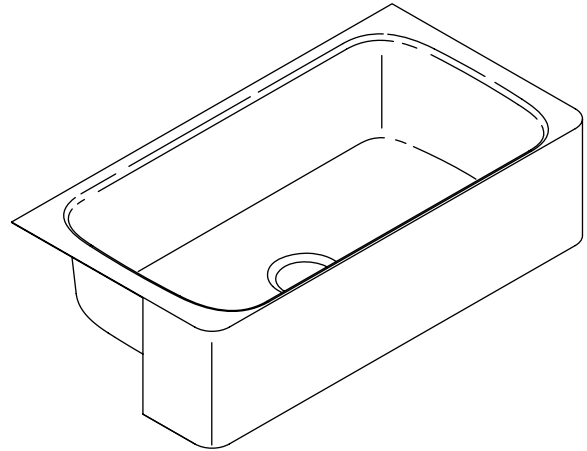
- 18 gauge stainless steel
- Abrasive finish
- Single compartment
- With integral apron
- Undercounter mount
- 33" (83.8 cm) x 17-3/8" (44.1 cm)

### Codes/Standards Applicable

Specified model meets or exceeds the following:

- IAPMO/UPC
- ASME A112.19.3
- CSA B45

## STAINLESS STEEL APRON FRONT KITCHEN SINK K-3086



### Colors/Finishes

- NA: None applicable

#### Accessories:

- CP: Polished Chrome
- ST: Stainless Steel
- Other: Refer to Price Book for additional colors/finishes

### Specified Model

Model	Description	Colors/Finishes
K-3086	Stainless steel undercounter sink	<input type="checkbox"/> NA
<b>Recommended Accessories</b>		
K-9000	Trap	<input type="checkbox"/> CP
<b>Optional Accessories</b>		
K-3133	Bottom basin rack	<input type="checkbox"/> ST
K-8801	Duostrainer® sink strainer	<input type="checkbox"/> CP <input type="checkbox"/> Other_____

### Product Specification:

The undercounter mount stainless steel sink shall be 33" (83.8 cm) in length, and 17-3/8" (44.1 cm) in width. Sink shall be made of 18 gauge stainless steel. Sink shall have abrasive finish. Sink shall be single compartment. Sink shall have integral apron. Sink shall be Kohler Model K-3086-\_\_\_\_\_.

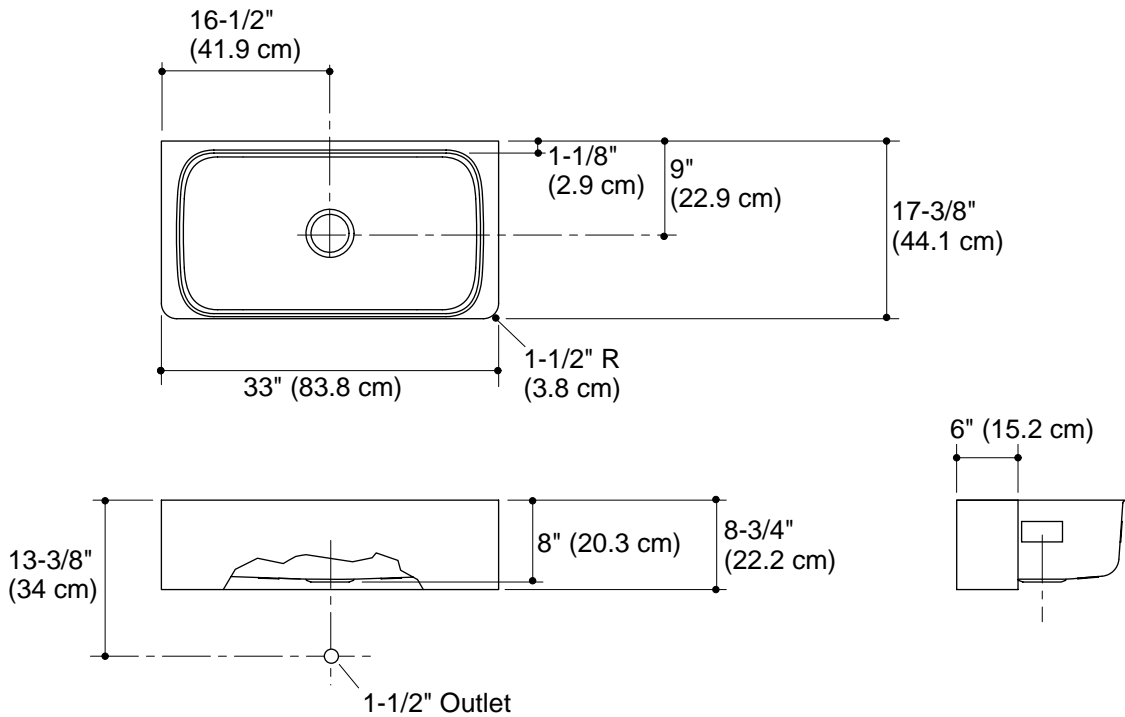
## Technical Information

Fixture:*	basin area	water depth
Sink	29-1/2" (74.9 cm) x 15-3/4" (40 cm)	8" (20.3 cm)
Outlet	1-1/2" D.	

\* Approximate measurements for comparison only.

## Installation Notes

Install this product according to the installation guide. Due to the special nature of this installation, Kohler Co. recommends that an experienced cabinet maker use the actual sink to build the new cabinet or modify an existing cabinet.



## Product Diagram