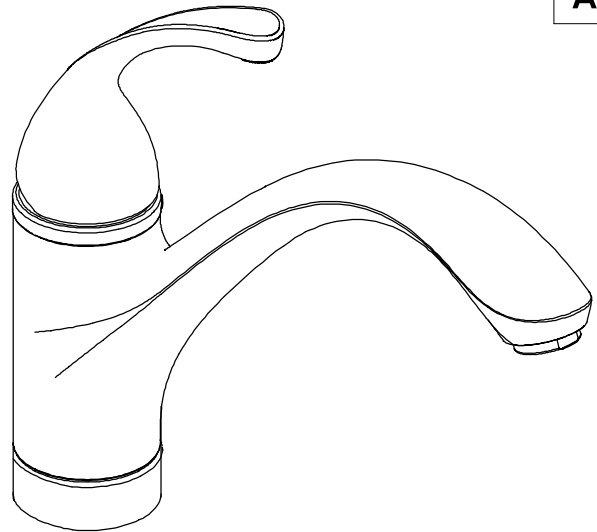


**KITCHEN SINK FAUCET
K-10415**

ADA

FEATURES

- Metal construction
- For single-hole mounting
- One-piece self-contained ceramic disc valve allows both volume and temperature control
- Temperature memory allowing faucet to be turned on and off at any temperature setting
- High-temperature limit stop
- 9-1/16" (23cm) swing spout
- 2.2 gallons (8L) per minute [max @ 60psi (4kg/cm²)]
- Lever handle
- Flexible supplies



CODES/STANDARDS APPLICABLE

Specified model meets or exceeds the following:

- ASME/ANSI A112.18.1
- CSA International B125
- IAPMO/UPC listed
- NSF 61
- Energy Policy Act of 1992
- Listed in the State of Wisconsin
- Handles are ADA compliant

COLORS/FINISHES

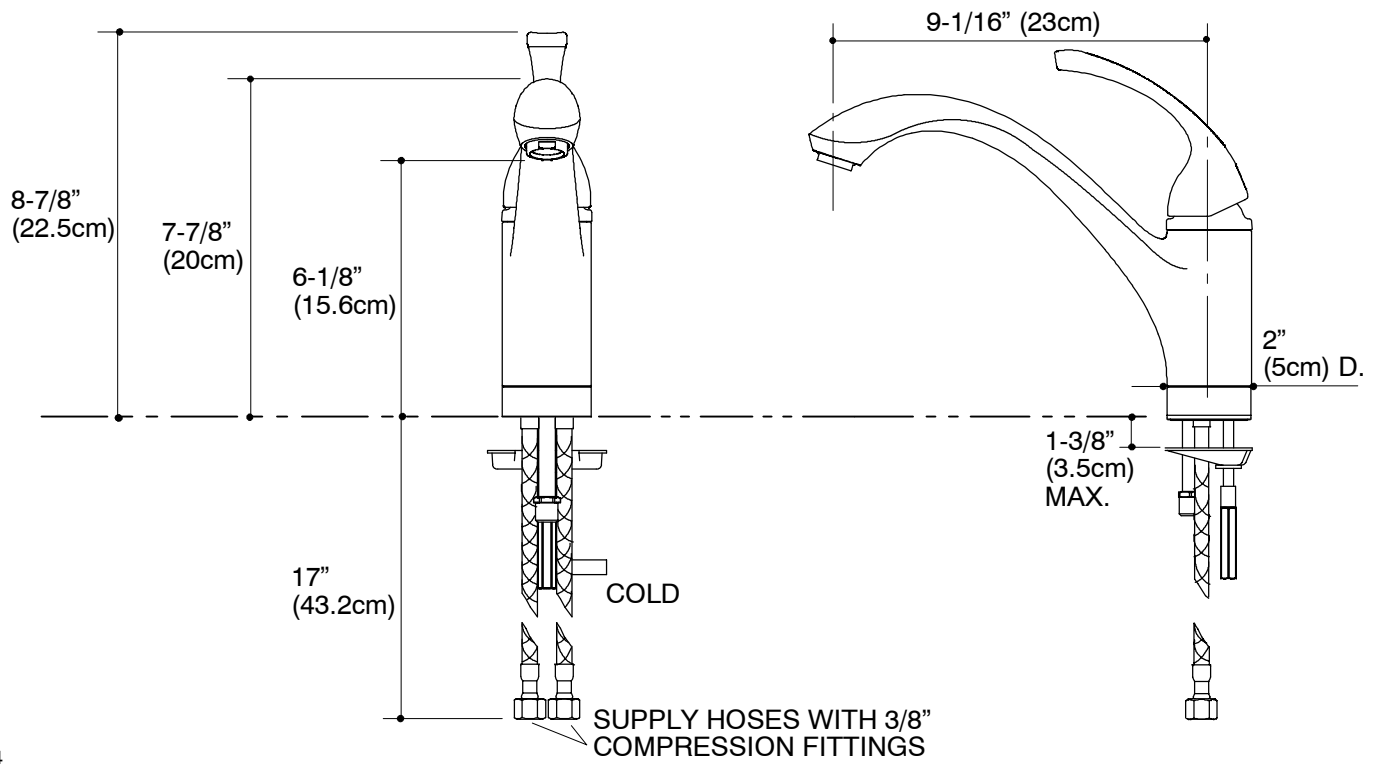
- CP Polished Chrome
- BN Brushed Nickel
- Other Refer to Faucets Price Book for additional finishes

SPECIFIED MODEL:

Model	Description			
K-10415	Forté Kitchen Sink Faucet	<input type="checkbox"/> CP	<input type="checkbox"/> BN	<input type="checkbox"/> Other_____

PRODUCT SPECIFICATION:

Single-control kitchen sink faucet shall be of metal construction. The valve shall be a one-piece, self-contained ceramic disc valve, and allows both volume and temperature control. The valve shall feature temperature memory, allowing the faucet to be turned on and off at any temperature setting, and includes a high-temperature limit stop. Product shall include single-hole mounting, and 9-1/16" (23cm) swing spout, lever handle and flexible supplies. Faucet shall be Kohler Model K-10415-_____.



PRODUCT DIAGRAM