

**KITCHEN SINK FAUCET  
K-10416**

ADA

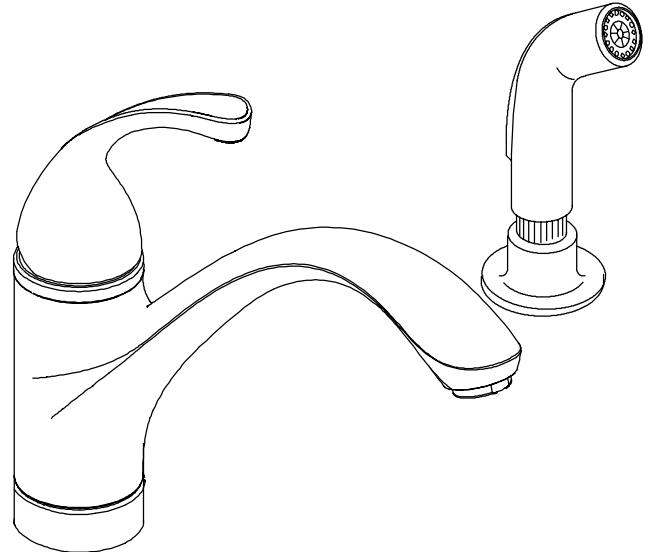
**FEATURES**

- Metal construction
- One-piece self-contained ceramic disc valve allows both volume and temperature control
- Temperature memory allowing faucet to be turned on and off at any temperature setting
- High-temperature limit stop
- 9-1/16" (23cm) swing spout
- 2.2 gallons (8L) per minute [max. @ 60psi (4kg/cm<sup>2</sup>)]
- Lever handle
- Handspray
- Flexible supplies

**CODES/STANDARDS APPLICABLE**

Specified model meets or exceeds the following:

- ASME/ANSI A112.18.1
- CSA International B125
- IAPMO/UPC
- NSF 61
- Energy Policy Act of 1992
- Listed in the State of Wisconsin
- Handles are ADA compliant



**COLORS/FINISHES**

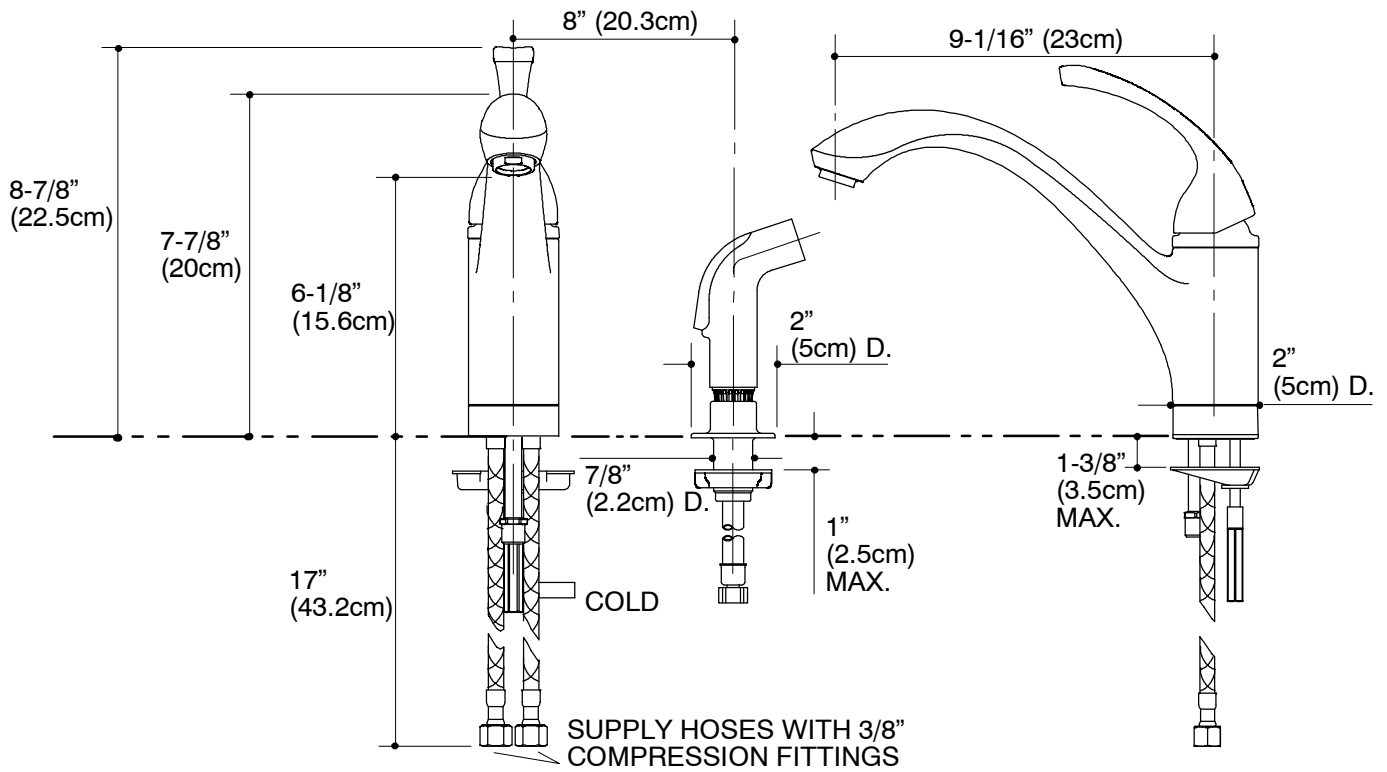
- CP Polished Chrome
- BN Brushed Nickel
- Other Refer to Faucets Price Book for additional finishes

**SPECIFIED MODEL:**

Model	Description	
K-10416	Forté Kitchen Sink Faucet	<input type="checkbox"/> CP <input type="checkbox"/> BN <input type="checkbox"/> Other_____

NOTE: All polished chrome faucets come with chrome plated handspray and matching holder. Other finishes come with white handspray and finish matched holder.

**PRODUCT SPECIFICATION:**  
Single-control kitchen sink faucet shall be of metal construction. The valve shall be a one-piece, self-contained ceramic disc valve, and allows both volume and temperature control. The valve shall feature temperature memory, allowing the faucet to be turned on and off at any temperature setting, and includes a high-temperature limit stop. Product shall include 9-1/4" (23.5cm) swing spout, lever handle, flexible supplies and handspray. Faucet shall be Kohler Model K-10416-\_\_\_\_\_.



**PRODUCT DIAGRAM**