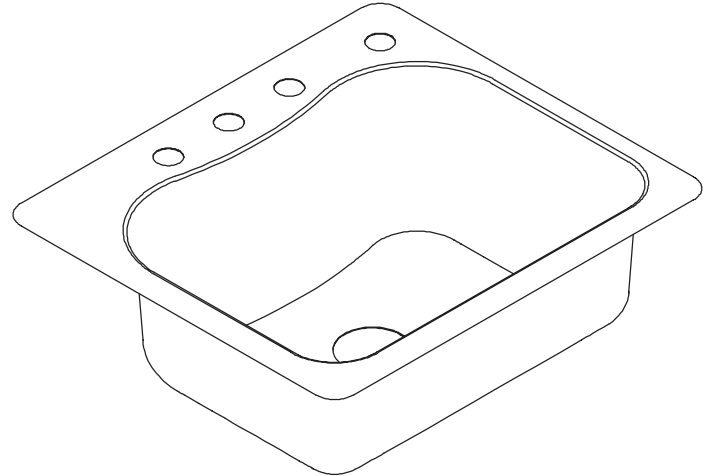


FEATURES

- 25" (63.5cm) x 22" (55.9cm)
- 18 gauge stainless steel
- Self-rimming
- Single compartment
- 4-hole (K-3362-4), 3-hole (K-3362-3), or single-hole (K-3362-1) faucet punching
- Includes installation hardware



CODES/STANDARDS APPLICABLE

Specified model meets or exceeds the following:

- None applicable

COLORS/FINISHES

- NA None Applicable

Accessories:

- CP Polished Chrome
- NA None Applicable
- Other Refer to Price Book for additional colors

SPECIFIED MODEL:

Model	Description	Colors/Finishes
K-3362-4	4-hole sink	<input type="checkbox"/> NA
K-3362-3	3-hole sink	<input type="checkbox"/> NA
K-3362-1	Single-hole sink	<input type="checkbox"/> NA
Optional Accessories		
K-3366	Hardwood cutting board	<input type="checkbox"/> NA
K-8813	Duostrainer sink strainer	<input type="checkbox"/> CP <input type="checkbox"/> Other_____

PRODUCT SPECIFICATION:

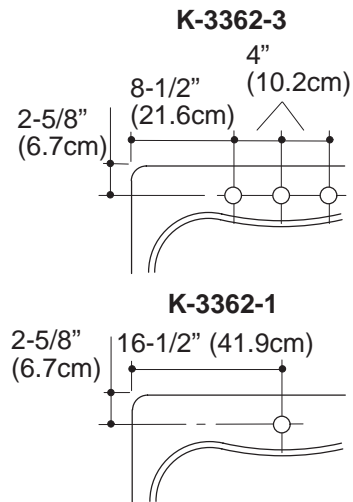
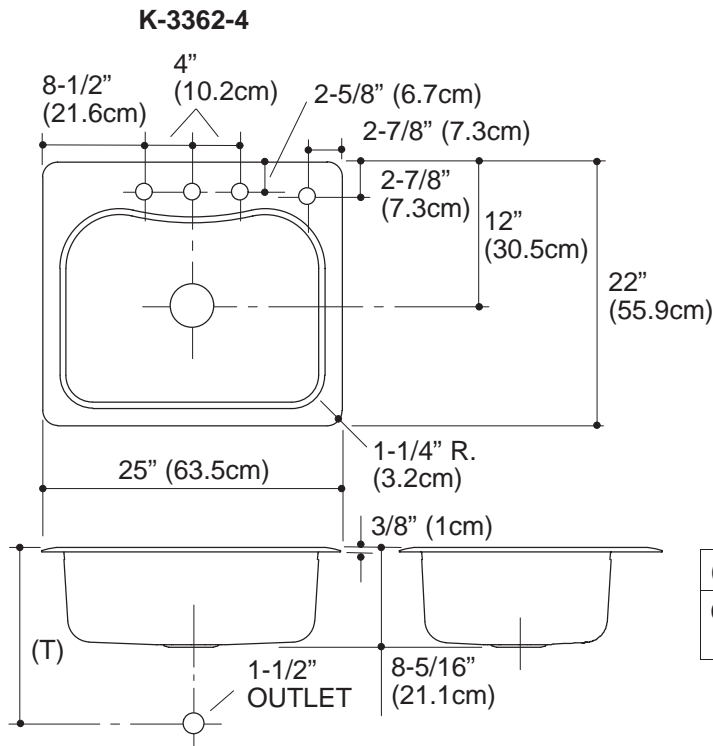
The self-rimming sink shall be 25" (63.5cm) in length, and 22" (55.9cm) in width. Sink shall be made of 18 gauge stainless steel. Sink shall be single compartment. Sink shall be 4-hole (K-3362-4), 3-hole (K-3362-3), or single-hole (K-3362-1) faucet punched. Sink shall include installation hardware. Sink shall be Kohler Model K-3362-_____-_____-_____.

STACCATO™

PRODUCT INFORMATION

Fixture*:	basin area	water depth
Sink	21-1/8" (53.7cm) x 15-11/16" (39.8cm)	8" (20.3cm)
Outlet	3-5/8" D. (9.2cm)	
Faucet holes	1-7/16" D. (3.7cm)	

* Approximate measurements for comparison only.



(T) Drain typically 14-9/16" (37cm)	
Cutout	24-1/2" (62.2cm) x 21-1/2" (54.6cm) with 1" (2.5cm) radius corners.

116

PRODUCT DIAGRAM