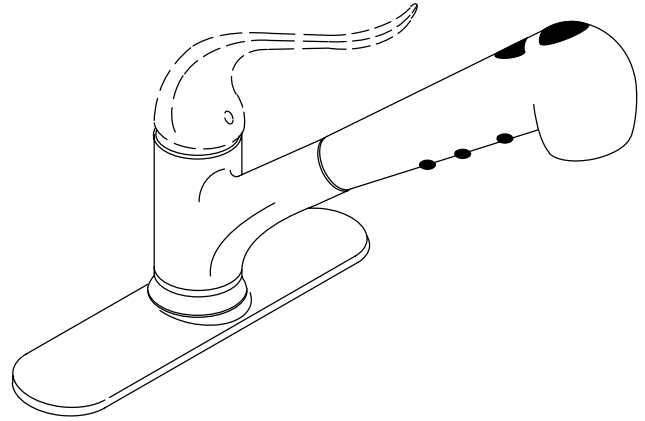


**PULL-OUT SPRAY KITCHEN SINK FAUCET
K-15160**

FEATURES

- Metal construction
- One-piece self-contained ceramic disc valve allows both volume and temperature control
- Temperature memory allowing faucet to be turned on and off at any temperature setting
- High-temperature limit stop
- 9" (22.9cm) Swing spout with integral spray and retractable hose
- 2.2 gallons (8 L) per minute [Max. @ 60 psi (4Kg/cm²)]
- Lever or loop handle
- Touch control stream-to-spray adjustment
- Integral vacuum breaker
- 10" (25.4cm) Escutcheon plate for three-hole installations



CODES/STANDARDS APPLICABLE

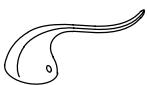

Specified model meets or exceeds the following:

- ASME/ANSI A112.18.1M
- CSA International B125
- Energy Policy Act of 1992
- IAPMO/UPC listed
- NSF 61
- Listed in the State of Wisconsin
- Handles are ADA Compliant

COLORS/FINISHES

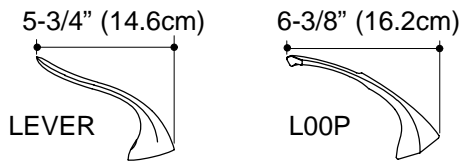
- CP Polished Chrome
- Other Refer to Faucets Price Book for additional finish

SPECIFIED MODEL:

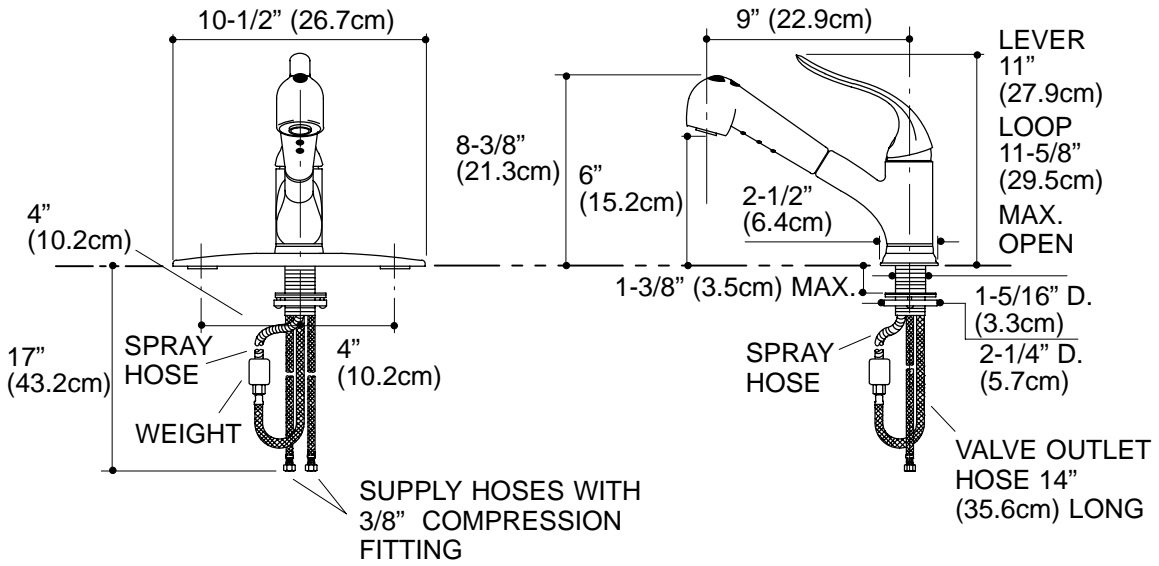
Model	Description	 ADA		 ADA	
		<input type="checkbox"/> CP	<input type="checkbox"/> Other__	<input type="checkbox"/> CP	<input type="checkbox"/> Other__
K-15160	With Lever Handle and Matching Color Sprayhead	<input type="checkbox"/> CP	<input type="checkbox"/> Other__		
K-15160-AP	With Lever Handle, Polished Chrome Body and White Sprayhead	<input type="checkbox"/> CP			
K-15160-MP	With Lever Handle, Polished Chrome Body and Almond Sprayhead	<input type="checkbox"/> CP			
K-15160-L	With Loop Handle and Matching Color Sprayhead			<input type="checkbox"/> CP	<input type="checkbox"/> Other__
K-15160-LA	With Loop Handle, Polished Chrome Body and White Sprayhead			<input type="checkbox"/> CP	
K-15160-LM	With Loop Handle, Polished Chrome Body and Almond Sprayhead			<input type="checkbox"/> CP	

PRODUCT SPECIFICATION:

Single-control pull-out spray kitchen sink faucet shall be of metal construction. The valve shall be a one-piece, self-contained ceramic disc valve, and allows both volume and temperature control. The valve shall feature temperature memory, allowing the faucet to be turned on and off at any temperature setting, and includes a high-temperature limit stop. Faucet shall also feature stream-to-spray touch control. Product shall include 9" (22.9cm) swing spout with integral sprayhead and hose, lever or loop handle, integral vacuum breaker, and 10" (25.4cm) escutcheon plate. Faucet shall be Kohler Model K-15160-_____ -_____.



ROUGHING-IN NOTES
Meets all local plumbing codes for vacuum breaker requirements.
All necessary parts included for both single-hole and three-hole installation.



PRODUCT DIAGRAM