

UNDERCOUNTER ENTERTAINMENT SINK

K-6589-U

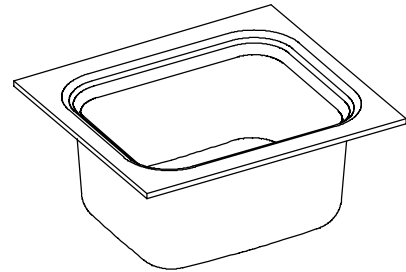
FEATURES

- 15" x 12-3/8"
- Cast iron
- Acid resistant enamel finish
- Undercounter
- Single compartment

CODES/STANDARDS APPLICABLE

Specified model meets or exceeds the following:

- ASME A112.19.1
- IAPMO/UPC
- CSA B45



COLORS/FINISHES

- 0 White
- Other Refer to Fixtures Price Book for additional colors

Accessories:

- CP Polished Chrome
- Other Refer to Price Book for additional colors

SPECIFIED MODEL:

Model	Description	Colors/Finishes	
K-6589-U	Undercounter sink	<input type="checkbox"/> 0 White	<input type="checkbox"/> Other _____
Optional Accessories			
K-8801	Duostrainer sink strainer	<input type="checkbox"/> CP	<input type="checkbox"/> Other _____

PRODUCT SPECIFICATION:

The undercounter sink shall be 15" in length, and 12-3/8" in width. Sink shall be made of cast iron with acid resistant enamel finish. Sink shall be single compartment. Sink shall be Kohler Model K-6589-U-_____.

NORTHLAND™

PRODUCT INFORMATION

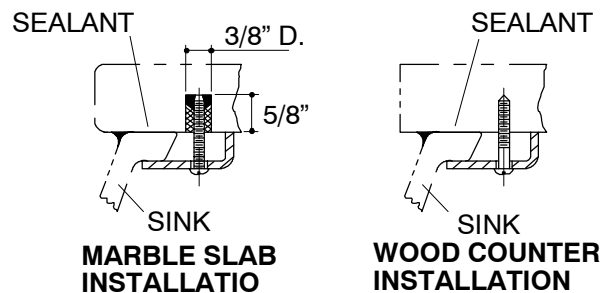
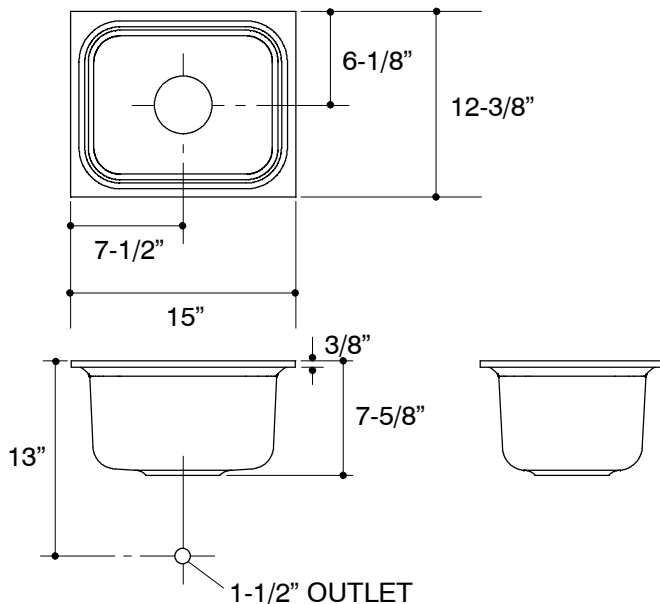
Fixture*:		basin area	water depth
Sink		9-1/4" x 12"	7"
Outlet	3-7/8" D.		
* Approximate measurements for comparison only.			
Included components:			
Basin clamp assembly		52047	

INSTALLATION NOTES

Install this product according to the installation guide.

Supplied basin clamp assemblies require 1" minimum countertop thickness. Installer must supply anchors for thinner countertops.

For multiple bowl undercounter installations, a minimum distance of 3-3/8" is required between bowls. Countertop supplier to determine required support.



NOTE: WATERPROOF UNPROTECTED OVERHANG AREA ON THE UNDERSIDE OF WOOD COUNTER

PRODUCT DIAGRAM