

LUTEZIA 27" PEDESTAL LAVATORY, MODEL 04268/05550

- Traditional styling
- Vitreous china construction
- Available in white or biscuit only
- With recessed rear overflow
- Faucet ledge with integral soap recesses
- Faucet hole centers (1-3/8" dia.) listed below:

❑ 04268

Lavatory slab with 1-3/8" dia. holes on 8" (203mm) centers (for spread lavatory faucet only)

❑ 05550

Pedestal base only

Nominal Overall Dimensions:

27-1/2" x 21-3/4" x 34-1/2" (698 x 552 x 876mm)

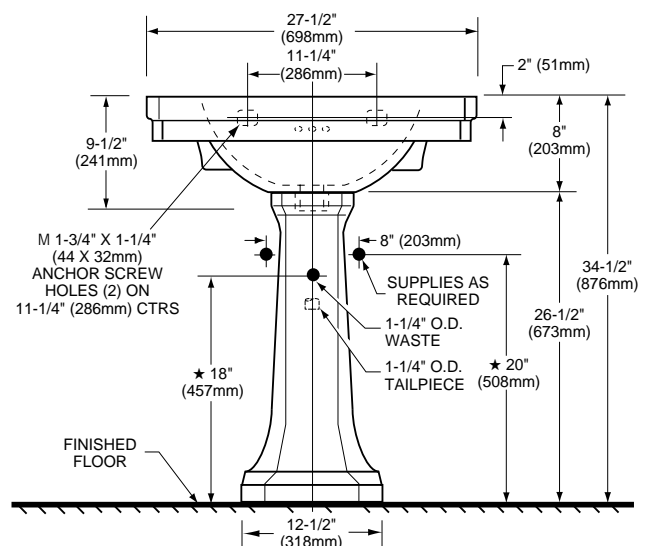
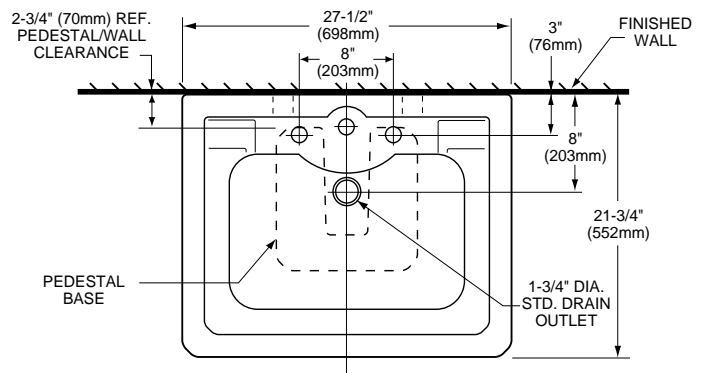
Bowl Inside Dimensions:

19-3/4" (502mm) wide

12-3/4" (324 mm) front to back

7" (178mm) depth

Fixture Dimensions conform to ANSI Standard A112.19.2M



To Be Specified

- ❑ Color:
- ❑ Faucet:
- ❑ Faucet Finish:
- ❑ Supplies:
- ❑ 1-1/4" Trap:
- ❑ Nipple:

NOTES:

★ DIMENSIONS SHOWN FOR LOCATION OF SUPPLIES AND "P" TRAP ARE SUGGESTED.

■ FOR REINFORCEMENT ONLY. TAKE ACTUAL DIMENSIONS FROM FIXTURE. SLAB/PEDESTAL ANCHORS AND MOUNTING FEATURES TO BE FURNISHED BY OTHERS.

PROVIDE SUITABLE REINFORCEMENT FOR ALL WALL SUPPORTS. FITTINGS NOT INCLUDED AND MUST BE ORDERED SEPARATELY.

INSTALLATION INSTRUCTIONS SUPPLIED WITH LAVATORY.

IMPORTANT: Dimensions of fixtures are nominal and may vary within the range of tolerances established by ANSI Standard A112.19.2M.

These measurements are subject to change or cancellation. No responsibility is assumed for use of superseded or voided pages.

SPS 04268/05550

LUTEZIA 24" PEDESTAL LAVATORY, MODEL 04558/05550

- Traditional styling
- Vitreous china construction
- Available in white or biscuit only
- With rear overflow (not shown)
- Faucet ledge with integral soap recesses
- Faucet hole centers (1-3/8" dia.) listed below:

❑ 04558

Lavatory slab with 1-3/8" dia. holes on 7-3/4" (197mm) centers (for spread lavatory faucet only)

❑ 05550

Pedestal base only

Nominal Overall Dimensions:

23-3/4" x 18-1/4" x 33-1/2" (603 x 464 x 851mm)

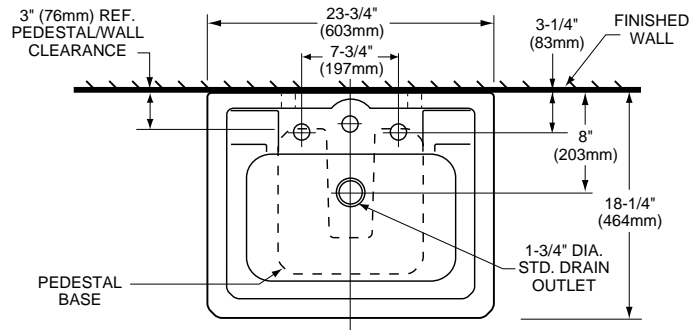
Bowl Inside Dimensions:

17" (432mm) wide

9-3/4" (248mm) front to back

6-1/2" (165mm) depth

Fixture Dimensions conform to ANSI Standard A112.19.2M



To Be Specified

- ❑ Color:
- ❑ Faucet:
- ❑ Faucet Finish:
- ❑ Supplies:
- ❑ 1-1/4" Trap:
- ❑ Nipple:

NOTES:

★ DIMENSIONS SHOWN FOR LOCATION OF SUPPLIES AND "P" TRAP ARE SUGGESTED.

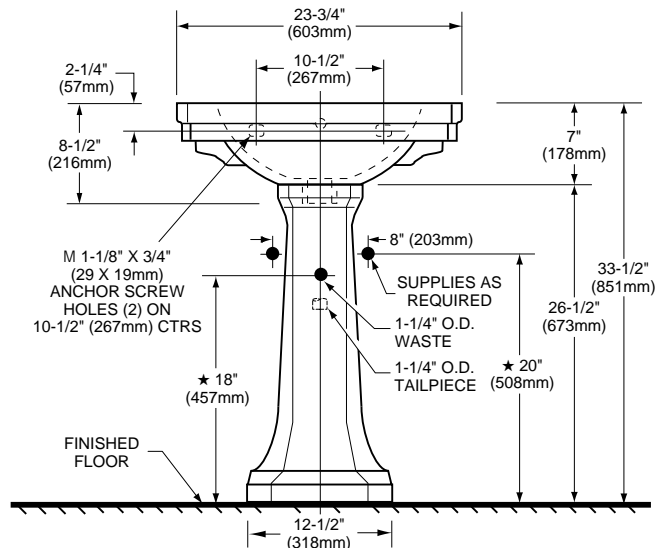
■ FOR REINFORCEMENT ONLY. TAKE ACTUAL DIMENSIONS FROM FIXTURE. SLAB/PEDESTAL ANCHORS AND MOUNTING FEATURES TO BE FURNISHED BY OTHERS.

PROVIDE SUITABLE REINFORCEMENT FOR ALL WALL SUPPORTS. FITTINGS NOT INCLUDED AND MUST BE ORDERED SEPARATELY.

INSTALLATION INSTRUCTIONS SUPPLIED WITH LAVATORY.

IMPORTANT: Dimensions of fixtures are nominal and may vary within the range of tolerances established by ANSI Standard A112.19.2M.

These measurements are subject to change or cancellation. No responsibility is assumed for use of superseded or voided pages.



SPS 04558/05550