

*American Standard*



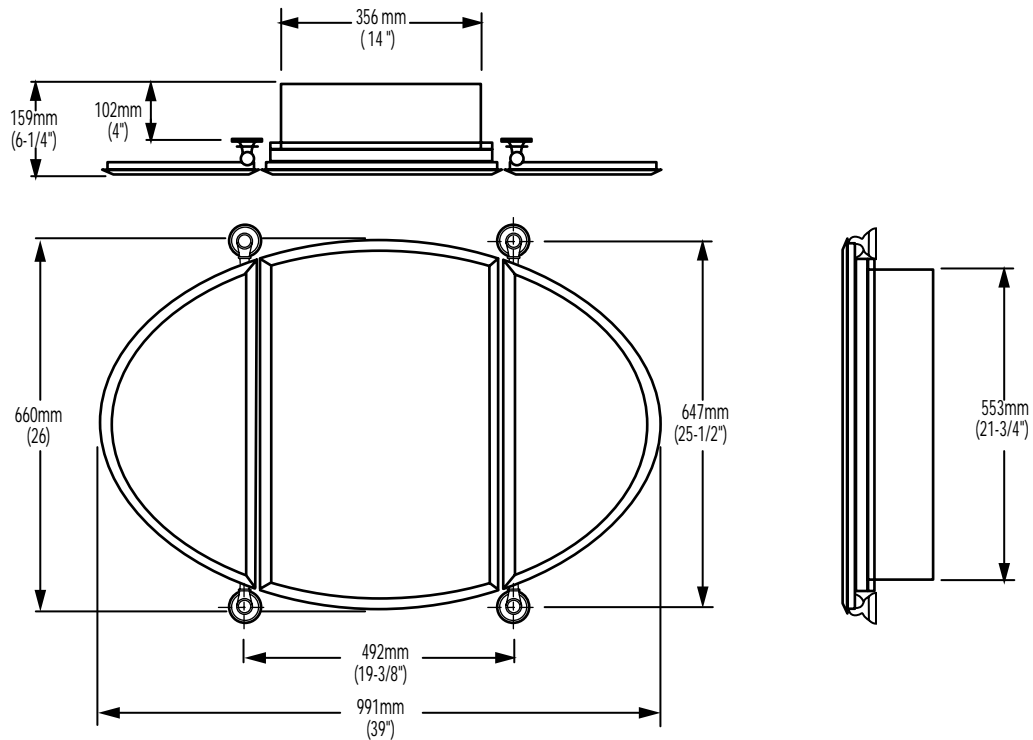
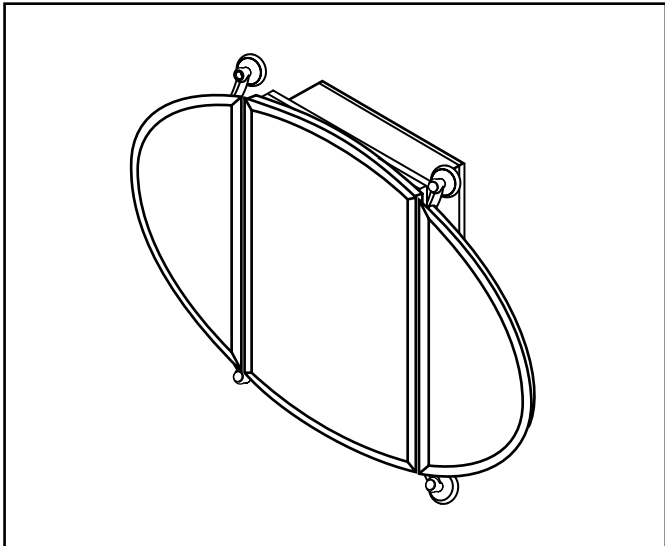
**ACCESSORIES**  
MIRROR with MEDICINE CABINET

**MODEL NUMBER:**

☐ 6771 MIRROR with MEDICINE CABINET

**Available Finishes**

	Polished Chrome (no finish suffix needed)
S	Satin



**PRODUCT FEATURES:**

**Heavy duty construction:** Highest quality materials for durability & long life.

**Concealed Mounting:** No exposed set screws.

**Materials of Construction:** Cabinet - wood. Body - zinc. Escutcheon - brass. Index button - porcelain. Adjustable shelves - tempered glass

**Easy to Install:** Can be flush mounted or surface mounted.

**Choice of Finishes:** To match Chrome and Satin finishes.

**SUGGESTED SPECIFICATION:**

Mirror with Medicine Cabinet shall feature heavy-duty construction. Shall feature concealed mounting. Medicine Cabinet shall feature adjustable tempered glass shelves. Mirror with Medicine Cabinet shall be American Standard Model # 6771\_.