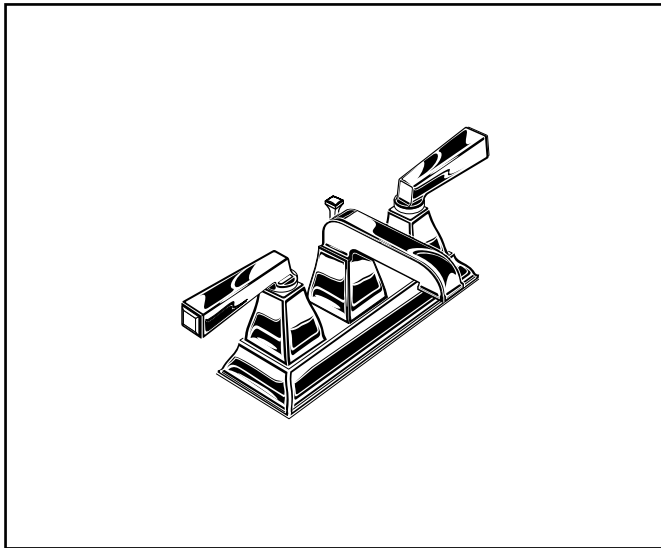


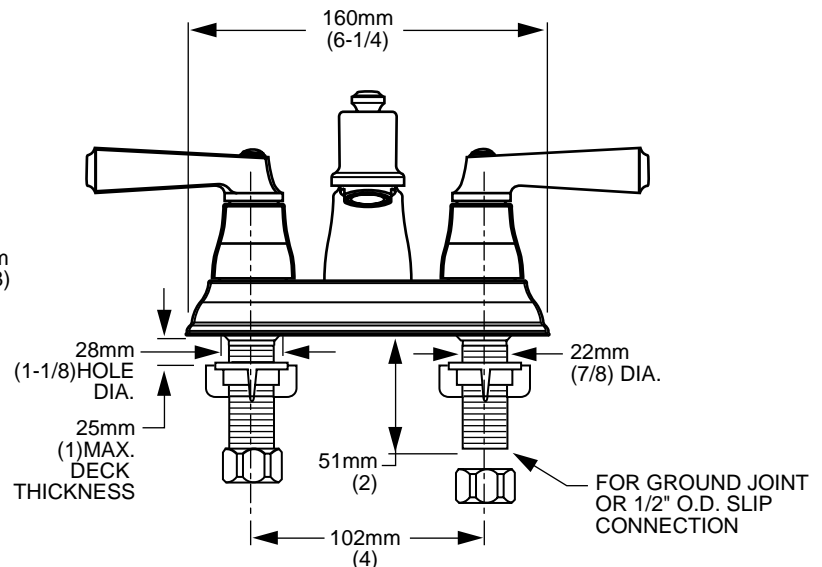
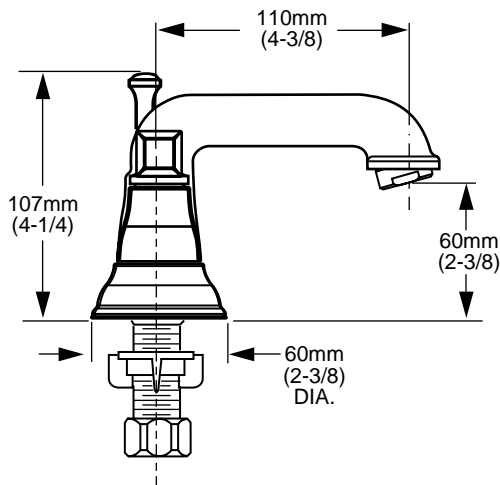
American Standard

Town Square

TWO-HANDLE CENTERSET LAVATORY FAUCET



2555.201 Shown



GENERAL DESCRIPTION:

Durable cast brass construction throughout. 1/4 turn washerless ceramic disc valve cartridges. One-half inch male inlet shanks. All brass drain body with 1-1/4" (32mm) tailpiece. 2.2 gpm/8.3L/min. maximum flow rate.

PRODUCT FEATURES:

Solid Brass Construction: Durable - Excellent in high use applications. Ideal for prolonged contact with water. Provides the finest surface for application of all colors and finishes.

Ceramic Disc Valve Cartridges: Assures a lifetime of drip-free performance.

Low Lead: Meets NSF Standard 61/Section 9 & Prop 65 lead requirements.

Exclusive Handle Alignment System: Allows fine tuning of handle position.

Choice of Finishes: Available in Polished Chrome, Polished Brass (PVD) and Satin (PVD).

SUGGESTED SPECIFICATION:

4" centerset lavatory faucet shall feature cast brass construction. Shall also feature 1/4 turn washerless ceramic disc valve cartridges that are reversible for use with cross or lever handles. Fitting shall be American Standard Model # 2555.201.____.

American Standard

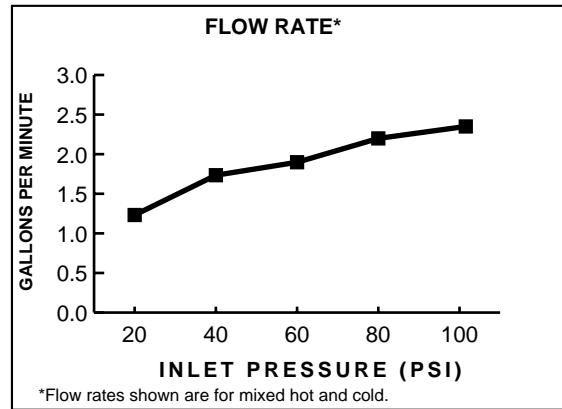
Town Square

TWO-HANDLE CENTERSET LAVATORY FAUCET

CODES AND STANDARDS

These products meet or exceed the following codes and standards:

- ASME A112.18.1M
- CSA B 125
- NSF 61/Section 9



Product Number	Description	Finish Options		
		Polished Chrome	PVD Polished Brass	PVD Satin
2555.201	Lavatory faucet with pop-up drain. Metal Lever handles.	002	099	295



Meets the American Disabilities Act Guidelines and **ANSI A117.1** Requirements for the physically challenged.