

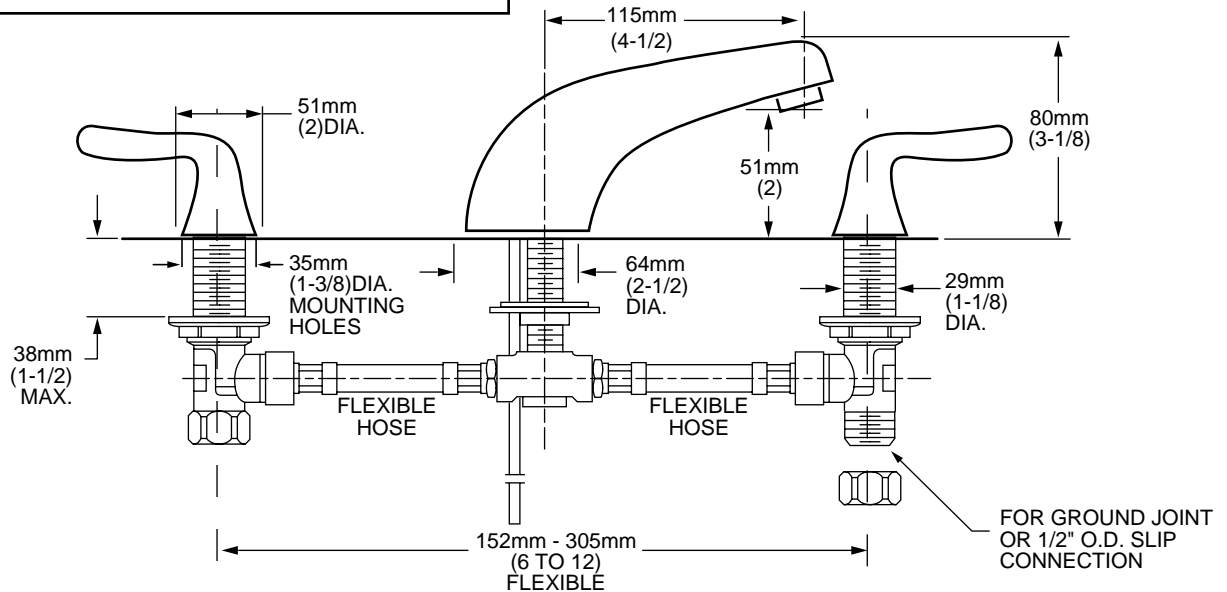
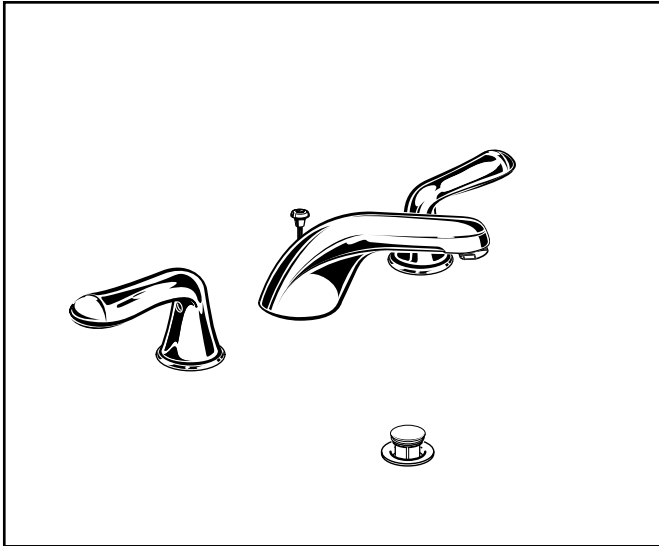
# American Standard

# COLONY SOFT

## TWO-HANDLE WIDESPREAD LAVATORY FAUCET

### MODEL NUMBER:

- ❑ **3875.501 Widespread Lavatory**  
Pop-up drain.



### GENERAL DESCRIPTION:

Cast brass valve bodies with reinforced flexible hose connections for 6" to 12" (152mm to 305mm) installations. 1/4 turn washerless ceramic disc valve cartridges. Cast brass spout. One-half inch male inlets with brass coupling nuts. 2.2 gpm/8.3L/min. maximum flow rate.

### PRODUCT FEATURES:

**Brass Construction:** Durable. Ideal for prolonged contact with water.

**Ceramic Disc Valve Cartridges:** Assures a lifetime of drip-free performance.

**Low Lead:** Meets NSF Standard 61/Section 9 & Prop 65 lead requirements.

**Choice of Finishes:** Available in polished Chrome or PVD Polished Brass.

### SUGGESTED SPECIFICATION:

Two handle widespread lavatory faucet shall feature cast brass valve bodies with reinforced flexible hose connections for 6" to 12" installations. Shall also feature 1/4 turn washerless ceramic disc valve cartridges. Fitting shall be American Standard Model # 3875.501.



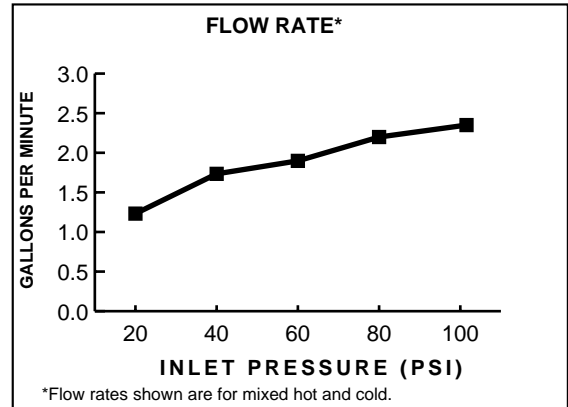
# COLONY SOFT

TWO-HANDLE WIDESPREAD  
LAVATORY FAUCET


## CODES AND STANDARDS

These products meet or exceed the following codes and standards:

- ASME A112.18.1M
- CSA B 125
- NSF 61/Section 9



Product Number	Description	Finish Options	
		Polished Chrome	PVD Polished Brass
3875.501	Lavatory faucet. Pop-up drain.	002	099

 Meets the American Disabilities Act Guidelines and **ANSI A117.1** Requirements for the physically challenged.