

REPRISE BATH/SHOWER, MODEL 5535.54X

- Classic Victorian styling
 - Coordinated accessories available
 - Cast brass valving
 - Mixing valve cross handle controls on/off and volume
 - Porcelain lever handle adjusts temperature
 - Wax thermostatic unit automatically maintains water temperature even with changes in supply pressure and temperture
 - 2-way diverter valve switches between showerhead and spout
 - Optional 3-way diverter kit available for shower systems
 - Includes hot limit safety stop
 - Includes escutcheon plate and plaster guard
 - Mixing valve 3/4" NPT inlets and outlets
 - Diverter, showerhead and tub spout: 1/2" NPT
- Specify assembly finish: chrome, polished brass, polished nickel or brushed nickel
- 5535.541**
Shower Only
- 5535.542**
Bath/Shower

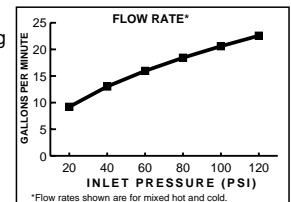


Maximum Temperature Limit: 112° F
Showerhead Maximum Flow Rate: 2.5 gpm (9.5 L/min.)

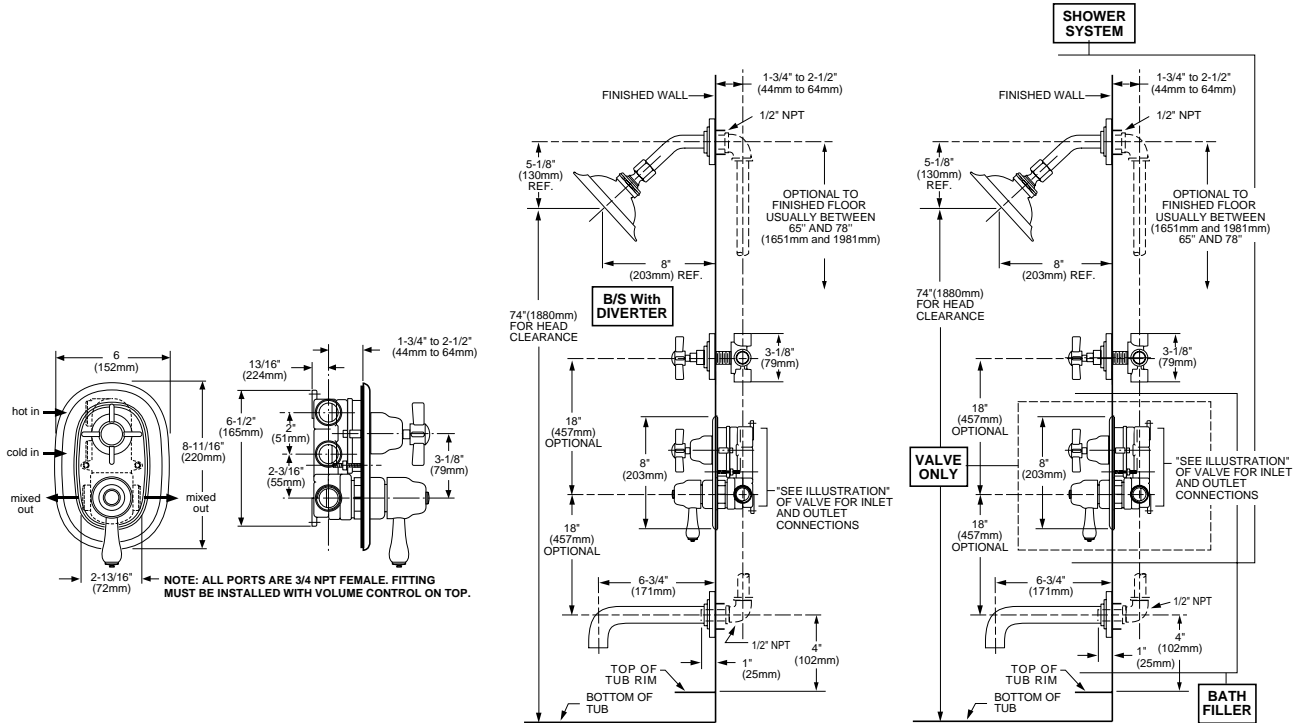
CODES AND STANDARDS

These products meet or exceed the following codes and standards:

ASSE 1016
ASME A112.18.1
CSA B125



ROUGHIN DIAGRAM
SHOWN ON REVERSE
SIDE



NOTES:

★ PLUG UNUSED OUTLET WHEN MIXER IS USED AS BATH OR SHOWER CONTROL.
INSTALLATION INSTRUCTIONS SUPPLIED WITH ASSEMBLY.

IMPORTANT: Dimensions of faucets are nominal and may vary within the range of tolerances established by ANSI Standard A112.18.1. These measurements are subject to change or cancellation. No responsibility is assumed for use of superseded or voided pages.

REPRISE TWO-HANDLE THERMOSTATIC VALVE,

MODEL 5535.540

- Classic Victorian styling
- Coordinated accessories available
- May be used as bath/shower control with optional diverter valve installation kit
- Cast brass construction
- Cross handle controls on/off and volume
- Porcelain lever handle sets and automatically maintains water temperature
- Includes adjustable hot limit safety stop
- Includes escutcheon plate and plaster guard
- 3/4" NPT inlets and outlets

- Specify assembly finish: chrome, polished brass, polished nickel, or brushed nickel



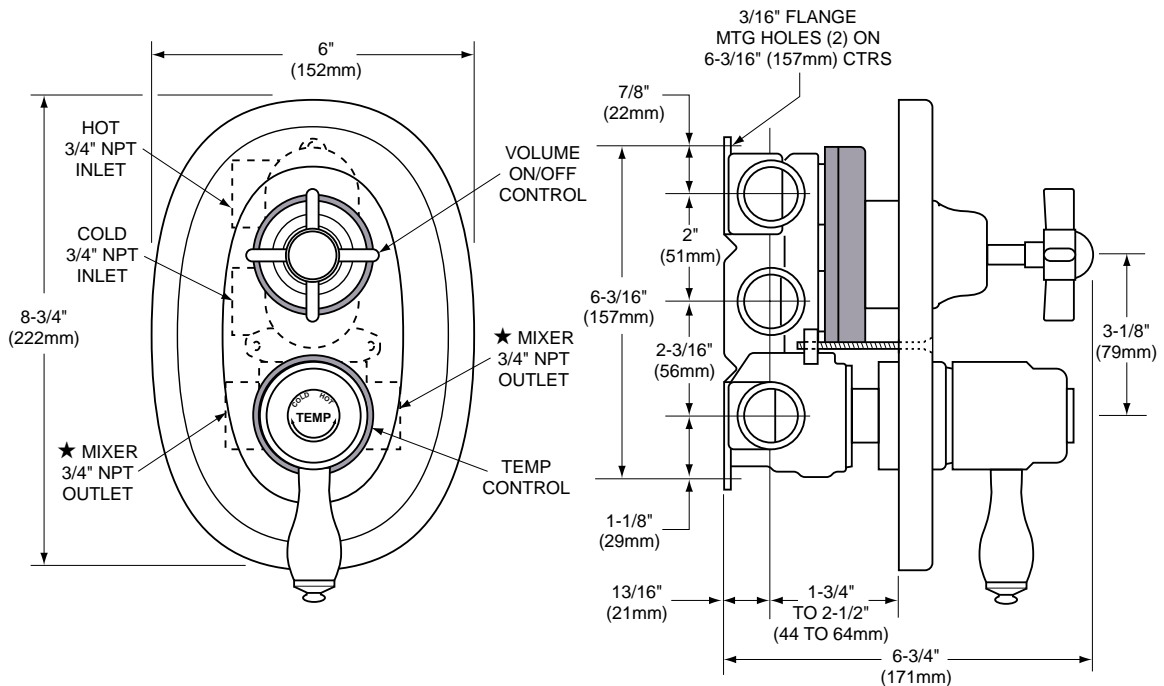
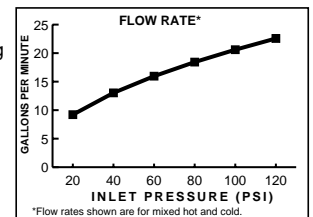
Maximum Temperature Limit: 112° F

Maximum Flow Rate: 13 gpm (493 L/min.)

CODES AND STANDARDS

These products meet or exceed the following codes and standards:

ASSE 1016
ASME A112.18.1
CSA B125



NOTES:

★ BOTH MIXER OUTLETS ARE USED ONLY WHEN OPTIONAL BATH/SHOWER DIVERTER IS INSTALLED; OTHERWISE, PLUG UNUSED OUTLET WHEN MIXER IS USED AS BATH OR SHOWER CONTROL.

★★ REQUIRES TWIN ELL WHEN USED WITH DIVERTER TUB SPOUT
INSTALLATION INSTRUCTIONS SUPPLIED WITH ASSEMBLY.

IMPORTANT: Dimensions of faucets are nominal and may vary within the range of tolerances established by ANSI Standard A112.18.1. These measurements are subject to change or cancellation. No responsibility is assumed for use of superseded or voided pages.

REPRISE DIVERTER MODEL 5535.4XX

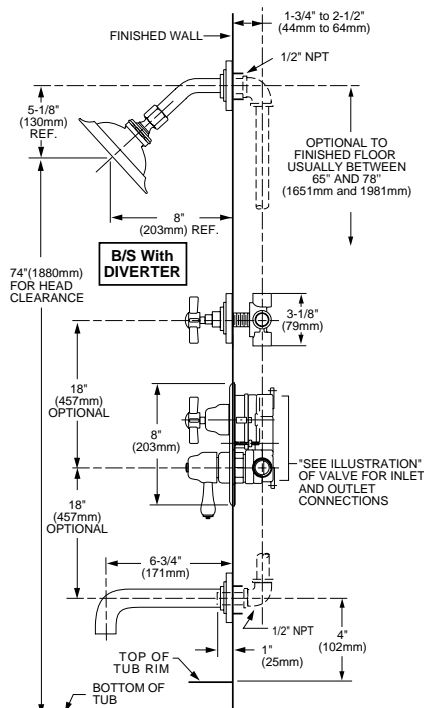
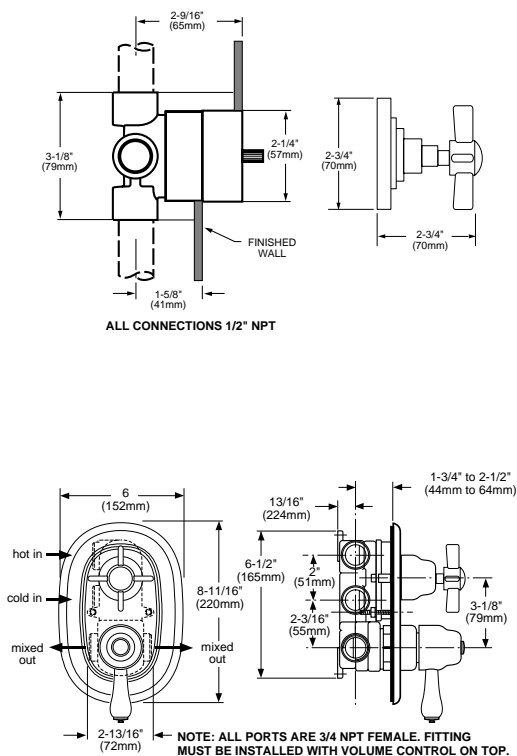
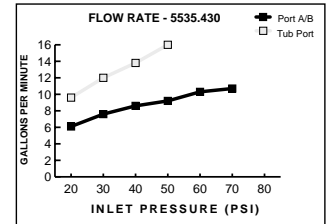
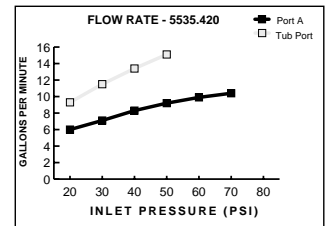
- Classic Victorian styling
 - Coordinated accessories available
 - Alternates water flow between 2 or 3 discrete shower outlets
 - Cast brass valve
 - Escutcheon plate and plaster guard
 - Includes 1/2" NPT inlets and outlets
- Specify assembly finish: chrome, polished brass, polished nickel or brushed nickel
- 5737.420**
2-way Diverter
- 5737.430**
3-way Diverter



CODES AND STANDARDS

These products meet or exceed the following codes and standards:

ASME A112.18.1



NOTES:

INSTALLATION INSTRUCTIONS SUPPLIED WITH ASSEMBLY.

IMPORTANT: Dimensions of faucets are nominal and may vary within the range of tolerances established by ANSI Standard A112.18.1. These measurements are subject to change or cancellation. No responsibility is assumed for use of superseded or voided pages.

TWO-HANDLE THERMOSTATIC ROUGH VALVE

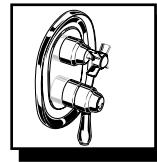
MODEL RP540

- May be used as bath/shower control with optional diverter valve installation kit
- Cast brass construction
- Optional 2-way or 3-way diverter kits available for shower systems
- Includes adjustable hot limit safety stop
- Includes plaster guard which can serve as thin wall support
- 3/4" NPT inlets and outlets
- LESS Trim



Available Trim Kits:

Reprise

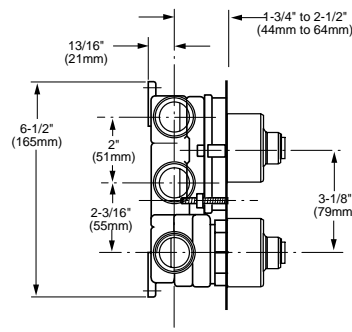
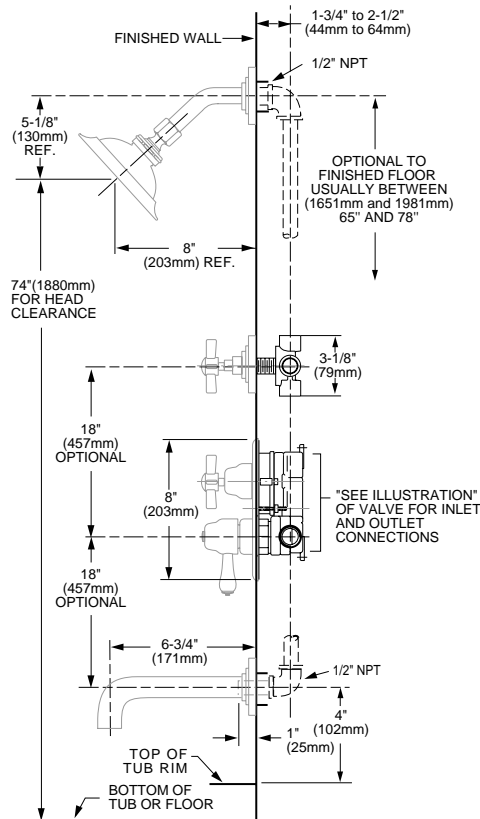
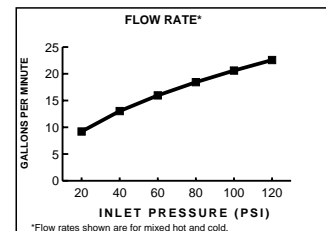


Maximum Temperature Limit: 112° F
Maximum Flow Rate: 13 gpm (493 L) at 40 psi

CODES AND STANDARDS

These products meet or exceed the following codes and standards:


ASSE 1016
ASME A112.18.1
CSA B125



NOTES:





- ★ BOTH MIXER OUTLETS ARE USED ONLY WHEN OPTIONAL BATH/SHOWER DIVERTER IS INSTALLED; OTHERWISE, PLUG UNUSED OUTLET WHEN MIXER IS USED AS BATH OR SHOWER CONTROL.
 - ★★ REQUIRES TWIN ELL WHEN USED WITH DIVERTER TUB SPOUT
- INSTALLATION INSTRUCTIONS SUPPLIED WITH ASSEMBLY.
 IMPORTANT: Dimensions of faucets are nominal and may vary within the range of tolerances established by ANSI Standard A112.18.1. These measurements are subject to change or cancellation. No responsibility is assumed for use of superseded or voided pages.

For use with the following Trim Kits:

REPRISE		TRIM
	Two Handle Thermostatic Valve Trim Kit	T535.540

Trim Kit and Rough Valve Body are packaged individually and must be ordered separately

For Full Bath/Shower or Shower Only Rough and Trim: shower head, tub spout and diverter are needed in addition to the Rough Valve and Trim.

Additional Bath/Shower Components:				
	SHOWERHEAD	TUB SPOUT	2-WAY DIVERTER	3-WAY DIVERTER
REPRISE				
TRIM ROUGH	5535.110	5535.105	T535.420 RP420	T535.420 RP420

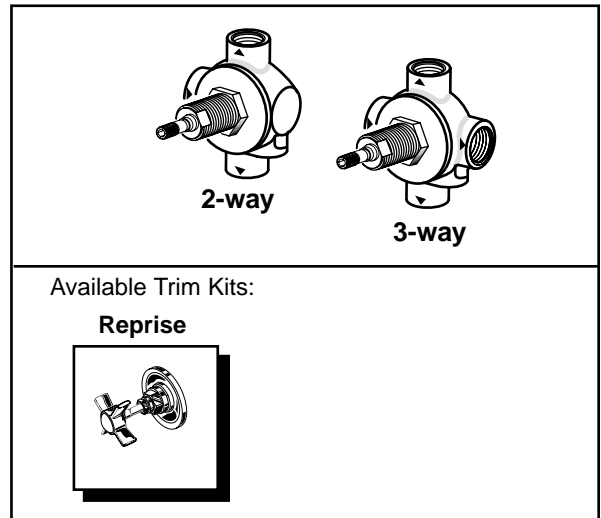
To order complete Bath/Shower or Shower Only Kits, see complete kit specification sheets.

REPRISE DIVERTER ROUGH VALVE, MODEL RP4XX

- Alternates water flow between 2 or 3 different shower outlets
- Cast brass construction
- Includes plaster guard which can serve as thin wall support
- 1/2" NPT inlets and outlets
- LESS Trim

RP420
2-way Diverter

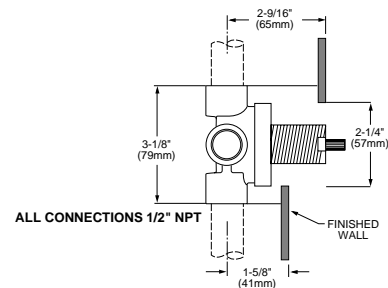
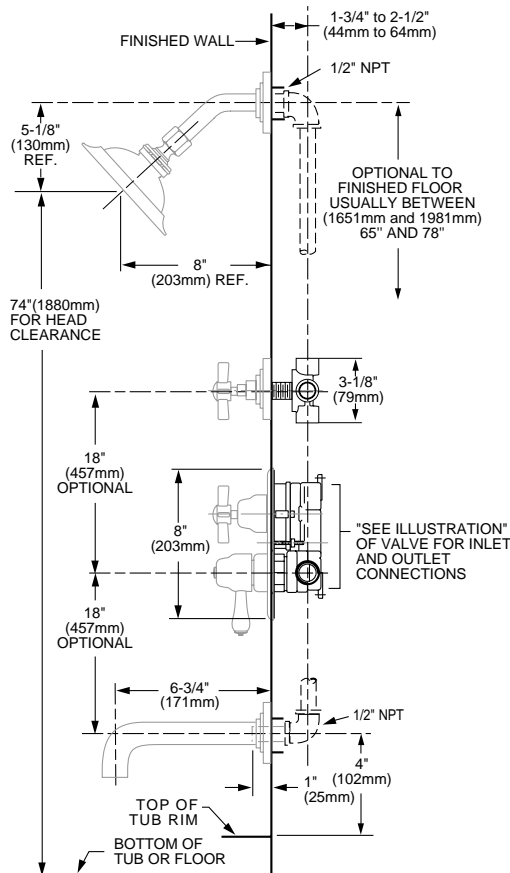
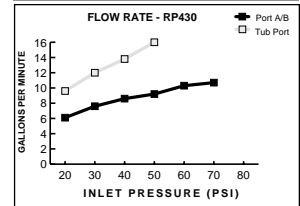
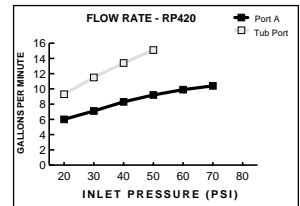
RP430
3-way Diverter



CODES AND STANDARDS

These products meet or exceed the following codes and standards:

ASME A112.18.1



NOTES:
INSTALLATION INSTRUCTIONS SUPPLIED WITH ASSEMBLY.

IMPORTANT: Dimensions of faucets are nominal and may vary within the range of tolerances established by ANSI Standard A112.18.1M. These measurements are subject to change or cancellation. No responsibility is assumed for use of superseded or voided pages.

For use with the following Trim Kits:

REPRISE



2-Way Diverter Trim

3-Way Diverter Trim

TRIM




T535.420

T535.430

Trim Kit and Rough Valve Body are packaged individually and must be ordered separately

For Full Bath/Shower or Shower Only Rough and Trim: shower head, tub spout and diverter are needed in addition to the Rough Valve and Trim.

Additional Bath/Shower Components:

REPRISE	SHOWERHEAD	TUB SPOUT	Two Handle Thermostatic Valve
			
TRIM ROUGH	5535.110	5535.105	T535.420 RP420

To order complete Bath/Shower or Shower Only Kits, see complete kit specification sheets.

NOTES:

★ BOTH MIXER OUTLETS ARE USED ONLY WHEN OPTIONAL BATH/SHOWER DIVERTER IS INSTALLED; OTHERWISE, PLUG UNUSED OUTLET WHEN MIXER IS USED AS BATH OR SHOWER CONTROL. INSTALLATION INSTRUCTIONS SUPPLIED WITH ASSEMBLY.

IMPORTANT: Dimensions of faucets are nominal and may vary within the range of tolerances established by ANSI Standard A112.18.1M. These measurements are subject to change or cancellation. No responsibility is assumed for use of superseded or voided pages.