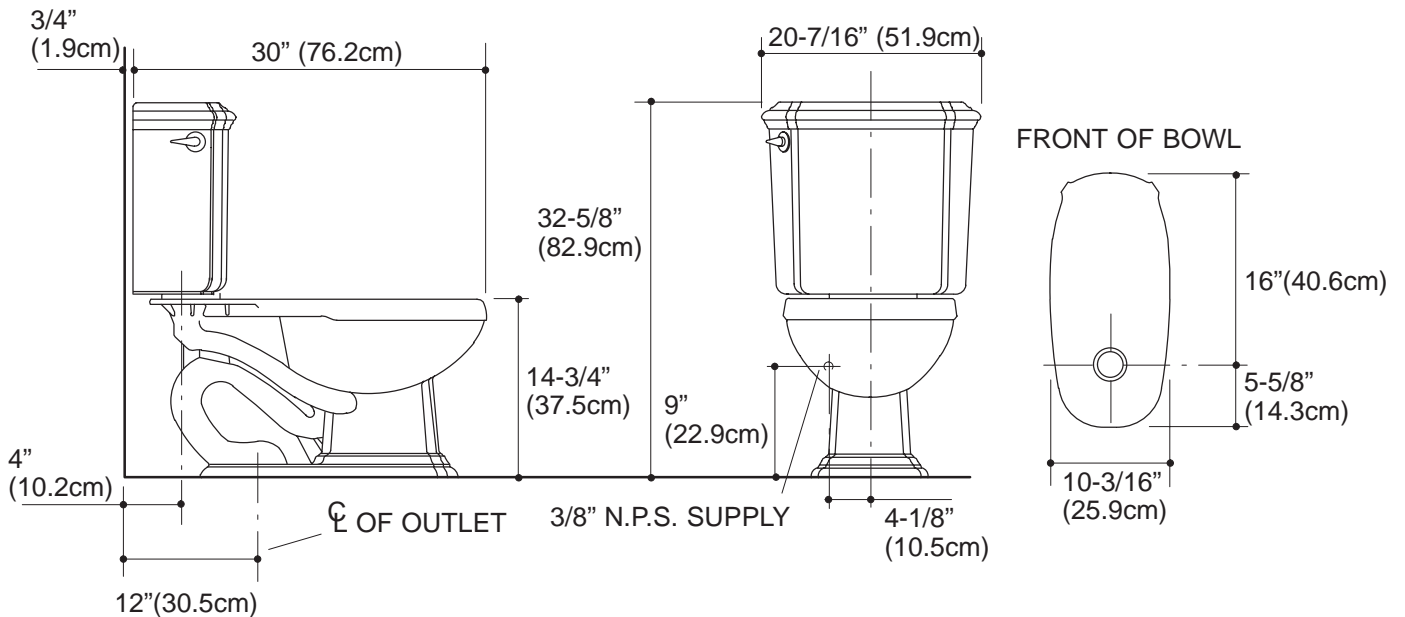


**Product Information**

Fixture:	
Configuration	2-piece, elongated
Water per flush	1.6 gallons (6L)
Passageway	2" (5cm)
Water depth from rim	5-3/4" (14.6cm)
Seat post hole centers	5-1/2" (14cm)
Included Components:	
Bowl	K-4317
Tank	K-4607
Tank cover	80625
Bolt cap accessory pack	52048
Tank accessory pack	73062

**Installation Notes**

Install this product according to the installation guide.  
Fixture dimensions are nominal and conform to tolerances in ASME Standard A112.19.2M.



116