

**LAVATORY FAUCET  
K-12265-4**

**ADA**

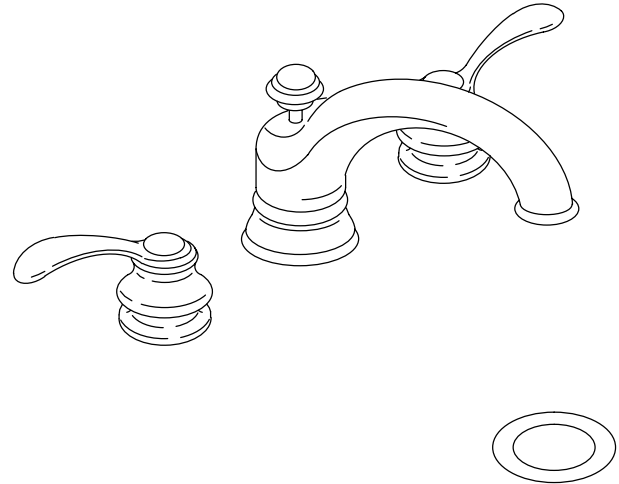
**FEATURES**

- Metal construction
- Flexible connections
- Brass valve bodies
- Quarter-turn washerless ceramic disc valves
- 5" spout
- 2.0 gallons per minute
- Pop-up drain with lift rod and tailpiece
- Lever handles

**CODES/STANDARDS APPLICABLE**

Specified model meets or exceeds the following:

- ASME/ANSI A112.18.1M
- CABO/ANSI A117.1
- CSA B125
- Energy Policy Act of 1992
- IAPMO/UPC
- NSF 61



**COLORS/FINISHES**

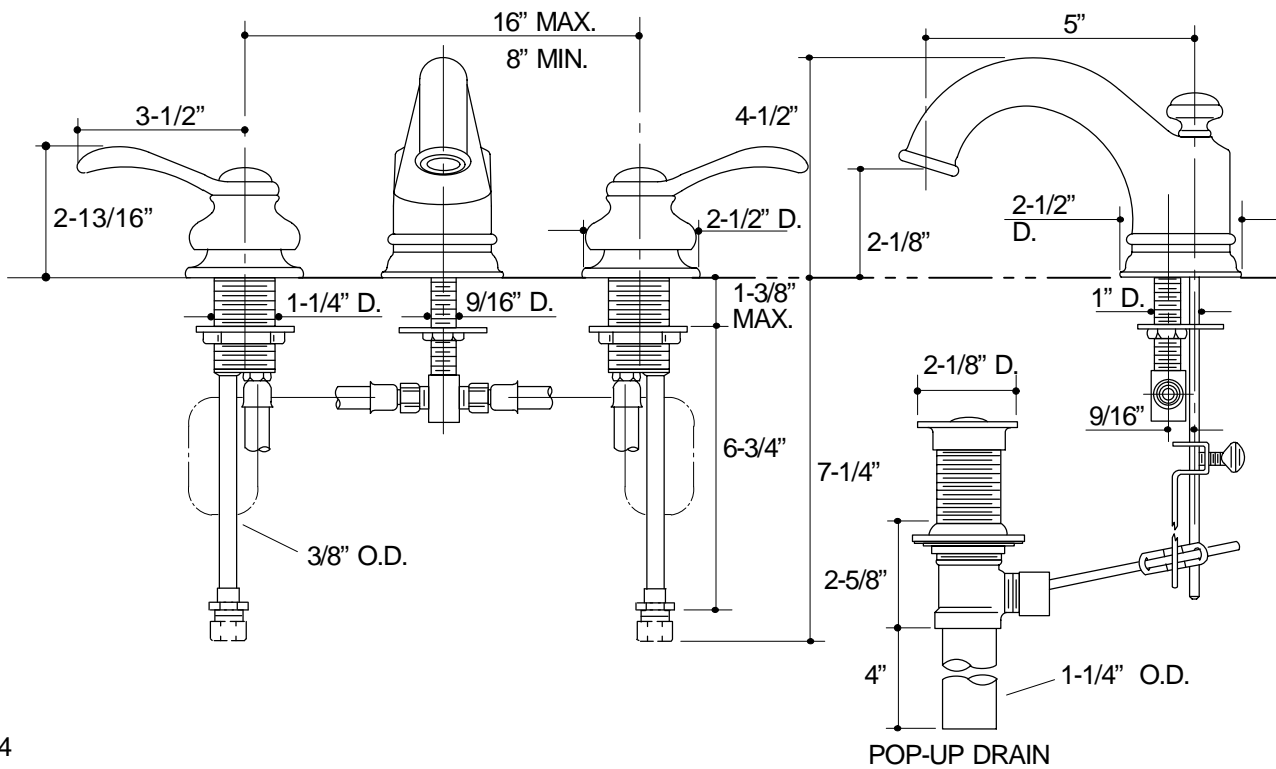
- CP Polished Chrome
- PB Polished Brass
- Other Refer to Faucets Price Book for additional finishes

**SPECIFIED MODEL:**

Model	Description			
K-12265-4	Fairfax Lavatory Faucet	<input type="checkbox"/> CP	<input type="checkbox"/> PB	<input type="checkbox"/> Other_____

Optional Accessory		
K-12003	Plug Button Set	 <input type="checkbox"/> Other_____

**PRODUCT SPECIFICATION:**  
 Two-handle widespread lavatory faucet shall be of metal construction. Faucet shall feature brass valve bodies. Faucet shall feature quarter-turn washerless ceramic disc valves, assuring positive handle stop positioning. Product shall include flexible connections, 5" spout, pop-up drain with lift rod and tailpiece, and lever handles. Faucet shall be Kohler Model K-12265-4-\_\_\_\_\_.



14

**PRODUCT DIAGRAM**