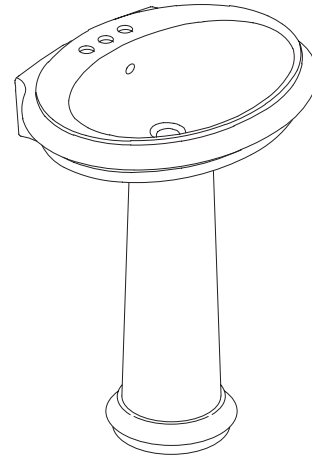


PEDESTAL LAVATORY

K-2013

FEATURES

- 23-7/8" (60.6cm) x 17-7/8" (45.4cm) x 34" (86.4cm)
- Vitreous China
- Lavatory with Traditional pedestal
- 8" (20.3cm) centers (-8), 4" (10.2cm) centers (-4), or single-hole (-1)
- With overflow



CODES/STANDARDS APPLICABLE

Specified model meets or exceeds the following:

- IAPMO/UPC
- ASME/ANSI A112.19.2M
- Canadian Standards Association (CSA)
- State of Massachusetts

COLORS/FINISHES

- 0 White
- Other Refer to Fixtures Price Book for additional colors

Accessories:

- CP Polished Chrome
- Other Refer to Faucets Price Book for additional finishes

SPECIFIED MODEL:

Model	Description	Colors/Finishes	
K-2013-8	8" (20.3cm) centers pedestal lavatory	<input type="checkbox"/> 0 White	<input type="checkbox"/> Other _____
K-2013-4	4" (10.2cm) centers pedestal lavatory	<input type="checkbox"/> 0 White	<input type="checkbox"/> Other _____
K-2013-1	Single-hole pedestal lavatory	<input type="checkbox"/> 0 White	<input type="checkbox"/> Other _____

Recommended Accessories			
K-7605-P	Lavatory supplies 3/8" (1cm) (pair)	<input type="checkbox"/> CP	<input type="checkbox"/> Other _____
K-9018	Trap	<input type="checkbox"/> CP	<input type="checkbox"/> Other _____

PRODUCT SPECIFICATION:

The pedestal lavatory shall be 23-7/8" (60.6cm) in length, 17-7/8" (45.4cm) in width, and 34" (86.4cm) in height. Pedestal lavatory shall be made of vitreous china. Pedestal lavatory shall have traditional pedestal. Pedestal lavatory shall have 8" (20.3cm) centers (-8), 4" (10.2cm) centers (-4), or single-hole (-1) drilling. Pedestal lavatory shall have overflow. Pedestal lavatory shall be Kohler Model K-2013-_____-_____.

PRODUCT INFORMATION

Included Components:	
Lavatory basin, 8" (20.3cm) centers	K-2008-8
Lavatory basin, 4" (10.2cm) centers	K-2008-4
Lavatory basin, single-hole	K-2008-1
Pedestal	K-2004
Rubber pads	63069
Lavatory accessory pack	84017

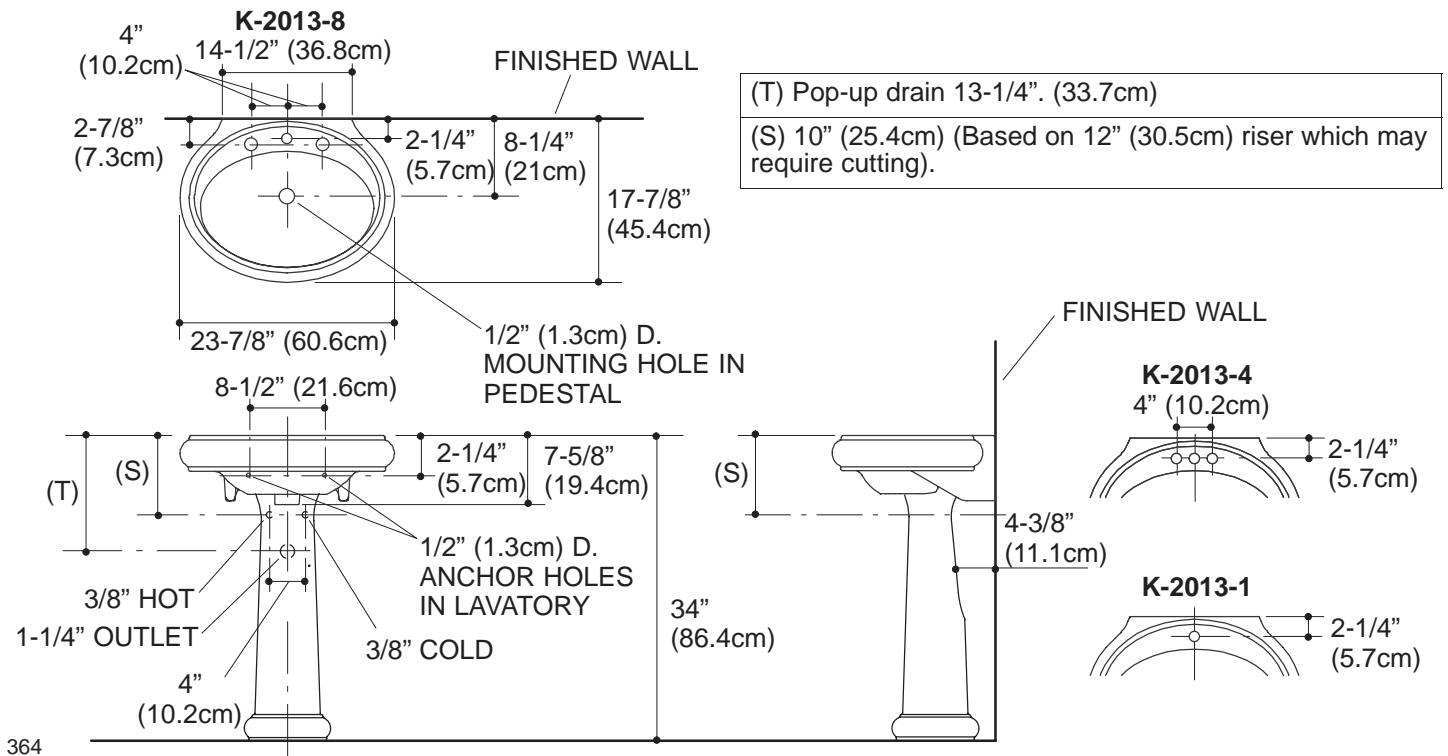
Fixture*:		basin area	water depth
Lavatory		18" (45.7cm) x 11" (27.9cm)	3-3/4" (9.5cm)
Drain hole	1-3/4" D. (4.4cm)		

Holes	K-2013-8	K-2013-4	K-2013-1
Spout	1-3/8" D. (3.5cm)	1-1/4" D. (3.2cm)	1-3/8" D. (3.5cm)
Faucet	1-3/8" D. (3.5cm)	1-1/4" D. (3.2cm)	

INSTALLATION NOTES

Install this product according to the installation guide.

Fixture dimensions are nominal and conform to tolerances in ASME Standard A112.19.2M.



PRODUCT DIAGRAM