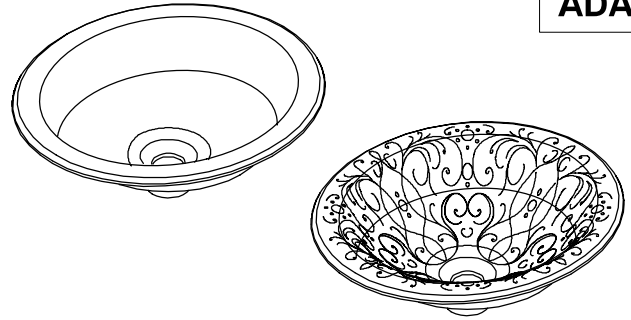


K-2804, K-14225

ADA

FEATURES

- 18" x 16" (45.7cm x 40.6cm)
- Cast iron
- Iron Bell (K-2804), Vessels™ Iron Bell (K-2804-P), or Iron Etchings™ Design on Vessels Iron Bell (K-14225) lavatory
- Without overflow
- Above-the-counter or self-rimming
- Optional wall-mount bracket (K-9655)
- ADA compliant, self-rimming only



CODES/STANDARDS APPLICABLE

Specified model meets or exceeds the following:

- ASME/ANSI A112.19.1M
- IAPMO/UPC
- Canadian Standards Association (CSA)
- State of Massachusetts

COLORS/FINISHES

- 0 White
- Other Refer to Fixtures Price Book for additional colors

Accessories:

- CP Polished Chrome
- Other Refer to Faucets Price Book for additional finishes
- NA None Applicable

SPECIFIED MODEL:

Model	Description	Colors/Finishes	
K-2804	Iron Bell	<input type="checkbox"/> 0 White	<input type="checkbox"/> Other_____
K-2804-P	Vessels Iron Bell	<input type="checkbox"/> 0 White	<input type="checkbox"/> Other_____
K-14225	Iron Etchings Design on Vessels Iron Bell	<input type="checkbox"/> 0 White	

Recommended Accessories			
K-9018	P-Trap	<input type="checkbox"/> CP	<input type="checkbox"/> Other_____
K-7702-BA	Pop-up drain with undercounter mount actuator	<input type="checkbox"/> CP	<input type="checkbox"/> Other_____

Optional Accessories		
K-9655	Vessels wall-mount bracket for use with K-2804-P or K-14225	<input type="checkbox"/> NA

PRODUCT SPECIFICATION:

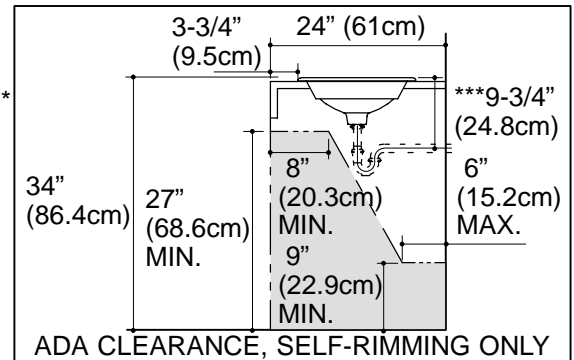
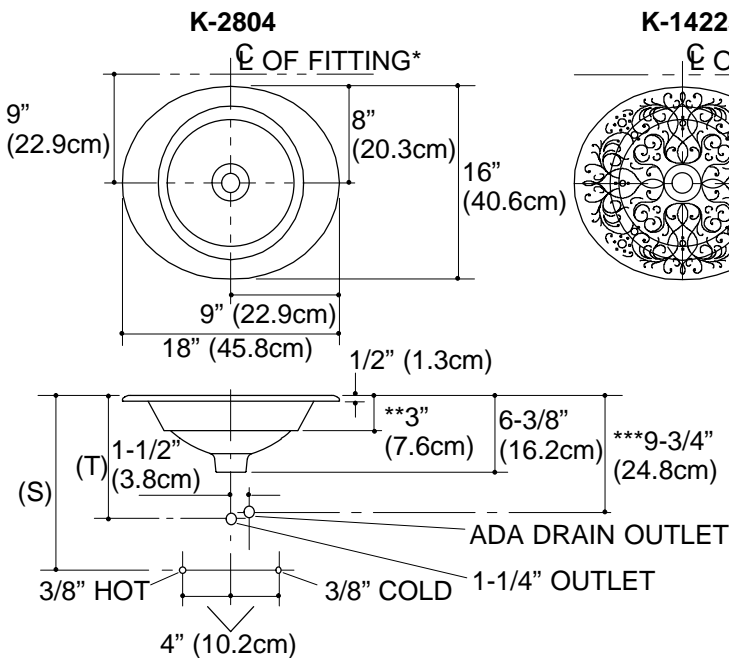
The Iron Bell lavatory shall be 18" x 16" (45.7cm x 40.6 cm). Lavatory shall be made of cast iron. Lavatory shall be either Iron Bell (K-2804), Vessels Iron Bell (K-2804-P), or Iron Etchings Design on Vessels Iron Bell (K-14225). Lavatory shall be without overflow. Lavatory shall be both above-the-counter or self-rimming. Lavatory shall have optional wall-mount bracket (K-9655). Lavatory shall be ADA compliant, self-rimming only. Kohler Model K-_____-_____-_____.

PRODUCT INFORMATION

ADA compliant, self-rimming only:			
Fixture*:		basin area	water depth
Lavatory		13" x 12" (33cm x 30.5cm)	4-3/8" (11.1cm)
Outlet	1-3/4" D. (4.4cm)		
* Approximate measurements for comparison only.			
Included Components:			
Cutout template		115887-7	

INSTALLATION NOTES

Product does not have an overflow.



Roughing-In Notes

- (T) Pop-up drain 10-1/4" (26cm).
- (S) 14" (35.6cm) (Based on 12" (30.5cm) riser which may require cutting).
- *Spout must be 5" (12.7cm) long (min.) for adequate clearance into lavatory when installed with centerline as shown.
- **Spout must be tall enough to clear 3" (7.6cm) rim height and provide a 1" (2.5cm) air gap per ASME A112.1.2
- ***Based on K-9018, with 1" (2.5cm) of tailpiece exposed.

PRODUCT DIAGRAM