

**BAR SINK FAUCET
K-15275**

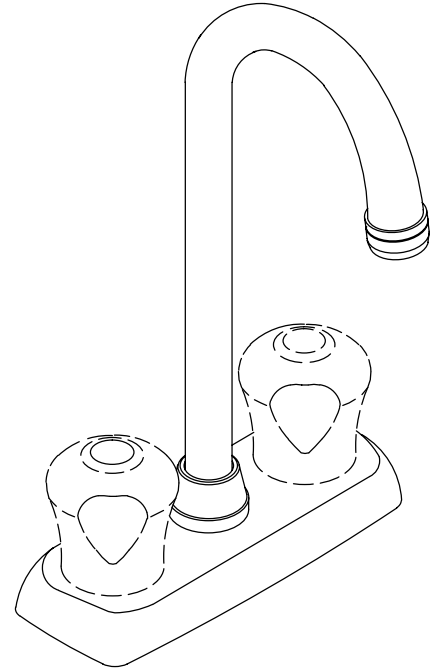
FEATURES

- Metal construction
- For 4" centers
- Reversible quarter-turn washerless ceramic disc valves
- 4" gooseneck spout
- 2.2 gallons per minute
- Available with sculptured acrylic or blade handles

CODES/STANDARDS APPLICABLE

Specified model meets or exceeds the following:



- ASME/ANSI A112.18.1M
- CSA B125
- Energy Policy Act of 1992
- IAPMO/UPC
- NSF 61



COLORS/FINISHES

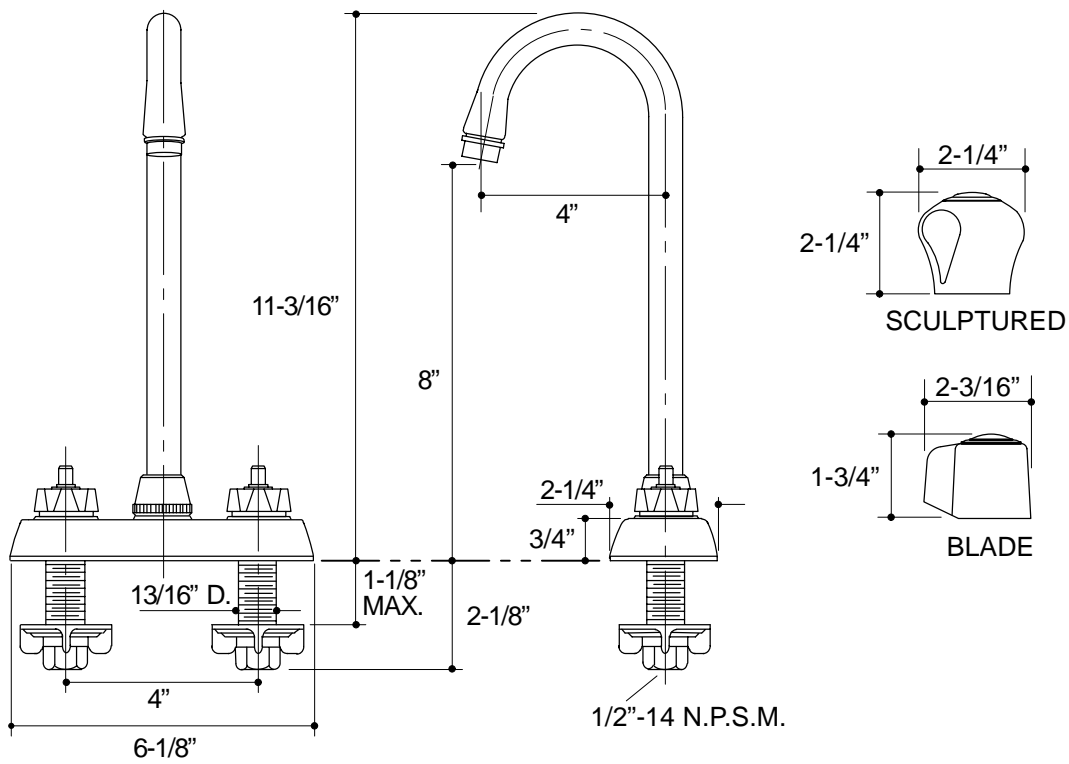
- CP Polished Chrome
- PB Polished Brass

SPECIFIED MODEL:

Model	Description			 ADA
K-15275	With Sculptured Acrylic Handles	<input type="checkbox"/> CP	<input type="checkbox"/> PB	
K-15275-B	With Blade Handles			<input type="checkbox"/> CP

PRODUCT SPECIFICATION:

Two-handle centerset bar sink faucet shall be of metal construction. Faucet shall feature reversible quarter-turn washerless ceramic disc valves, assuring positive handle stop positioning. Product shall include 4" centers, 4" gooseneck spout, and sculptured acrylic or blade handles. Faucet shall be Kohler Model K-15275-____-____.



14

PRODUCT DIAGRAM