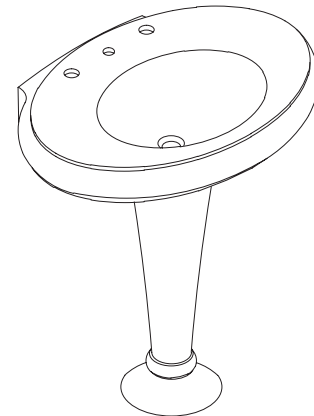


### PEDESTAL LAVATORY

# K-2000

#### FEATURES

- 33-1/4" (84.5cm) x 24-1/8" (61.3cm) x 35-1/8" (89.2cm)
- Fireclay lavatory & vitreous china pedestal
- Lavatory with Transitional pedestal
- 10" (25.4cm) centers (-10) or single-hole (-1)



#### CODES/STANDARDS APPLICABLE

Specified model meets or exceeds the following:

- ASME/ANSI A112.19.2M
- ASME/ANSI A112.19.9M
- IAPMO/UPC
- State of Massachusetts

#### COLORS/FINISHES

- 0 White
- Other Refer to Fixtures Price Book for additional colors

#### Accessories:

- CP Polished Chrome
- Other Refer to Faucets Price Book for additional finishes
- NA None Applicable

#### SPECIFIED MODEL:

Model	Description	Colors/Finishes	
K-2000-10	10" (25.4cm) centers pedestal lavatory	<input type="checkbox"/> 0 White	<input type="checkbox"/> Other_____
K-2000-1	Single-hole pedestal lavatory	<input type="checkbox"/> 0 White	<input type="checkbox"/> Other_____

Recommended Accessories			
K-7605-P	Lavatory supplies 3/8" (1cm) (pair)	<input type="checkbox"/> CP	<input type="checkbox"/> Other_____
K-9018	Trap	<input type="checkbox"/> CP	<input type="checkbox"/> Other_____
Optional Accessories			
K-9624	Attachment for customized decorative fabric skirt	<input type="checkbox"/> NA	

#### PRODUCT SPECIFICATION:

The pedestal lavatory shall be 33-1/4" (84.5cm) in length, 24-1/8" (61.3cm) in width, and 35-1/8" (89.2cm) in height. Pedestal lavatory shall be made of fireclay. Pedestal lavatory shall have 10" (25.4cm) centers (-10) or single-hole (-1) drilling. Pedestal lavatory shall be Kohler Model K-2000-\_\_\_\_\_.

# REVIVAL™

## PRODUCT INFORMATION

Fixture*:		basin area	water depth
Lavatory		18" (45.7cm) x 14" (35.6cm)	6-1/2" (16.5cm)
Drain hole	1-3/4" D. (4.4cm)		
* Approximate measurements for comparison only.			

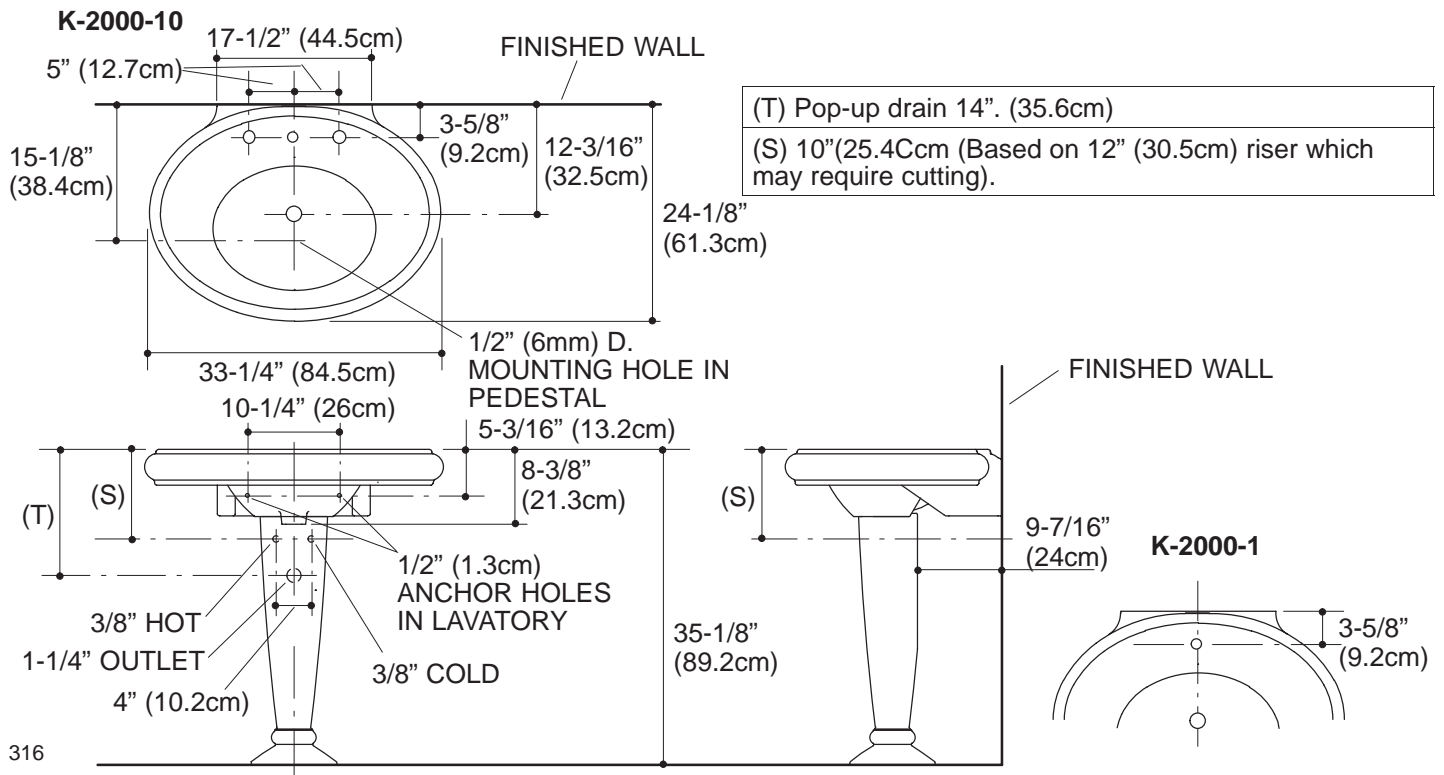
Holes	<b>K-2000-10</b>	<b>K-2000-1</b>
Spout	1-3/8" D. (3.5cm)	1-3/8" D. (3.5cm)
Faucet	1-3/8" D. (3.5cm)	

Included Components:	
Pedestal	K-2003
Rubber pads	63069
Lavatory accessory pack	84017

## INSTALLATION NOTES

Install this product according to the installation guide.

Fixture dimensions are nominal and conform to tolerances in ASME Standard A112.19.2M.



## PRODUCT DIAGRAM