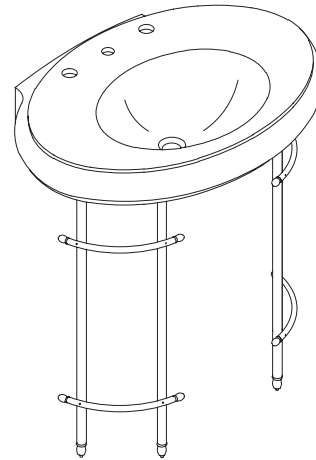


### LAVATORY BASIN WITH CONSOLE TABLE LEGS

# K-2001, K-6860

#### FEATURES

- 33-1/4" (84.5cm) x 24-1/8" (61.3cm) x 35-1/8" (89.2cm)
- Fireclay (lavatory basin)
- Console table
- 10" (25.4cm) centers (K-2001-10) or single-hole (K-2001-1) drilling
- Console table legs (K-6860)



#### CODES/STANDARDS APPLICABLE

Specified model meets or exceeds the following:

- ASME/ANSI A112.19.9M
- IAPMO/UPC
- State of Massachusetts

#### COLORS/FINISHES

- 0 White
- Other Refer to Fixtures Price Book for additional colors

#### Accessories:

- CP Polished Chrome
- PB Polished Brass
- Other Refer to Price Book for additional finishes

#### SPECIFIED MODEL:

Model	Description	Colors/Finishes	
K-2001-10	10" (25.4cm) centers lavatory	<input type="checkbox"/> 0 White	<input type="checkbox"/> Other_____
K-2001-1	Single-hole lavatory	<input type="checkbox"/> 0 White	<input type="checkbox"/> Other_____
K-6860	Console table legs	<input type="checkbox"/> CP	<input type="checkbox"/> Other_____

#### Recommended Accessories

K-7605-P	Lavatory supplies 3/8" (1cm) (pair)	<input type="checkbox"/> CP	<input type="checkbox"/> Other_____
K-9018	Trap	<input type="checkbox"/> CP	<input type="checkbox"/> Other_____

#### Optional Accessories

K-9624	Attachment for customized decorative fabric skirt	<input type="checkbox"/> Other_____	
K-7709	Tailpiece shroud	<input type="checkbox"/> CP	<input type="checkbox"/> Other_____

#### PRODUCT SPECIFICATION:

The console table shall be 33-1/4" (84.5cm) in length, 24-1/8" (61.3cm) in width and 35-1/8" (89.2cm) in height. Lavatory basin shall be made of fireclay. Lavatory basin shall have 10" (25.4cm) centers (K-2001-10) or single-hole (K-2001-1) drilling. Console table shall have metal legs (K-6860). Lavatory basin shall be Kohler Model K-2001-\_\_\_\_\_ - \_\_\_\_\_ and console table legs shall be Kohler Model K-6860-\_\_\_\_\_.

## PRODUCT INFORMATION

Fixture*:		basin area	water depth
Lavatory		18" (45.7cm) x 14" (35.6cm)	6-1/2" (16.5cm)
Drain hole	1-3/4" D. (4.4cm)		
* Approximate measurements for comparison only.			

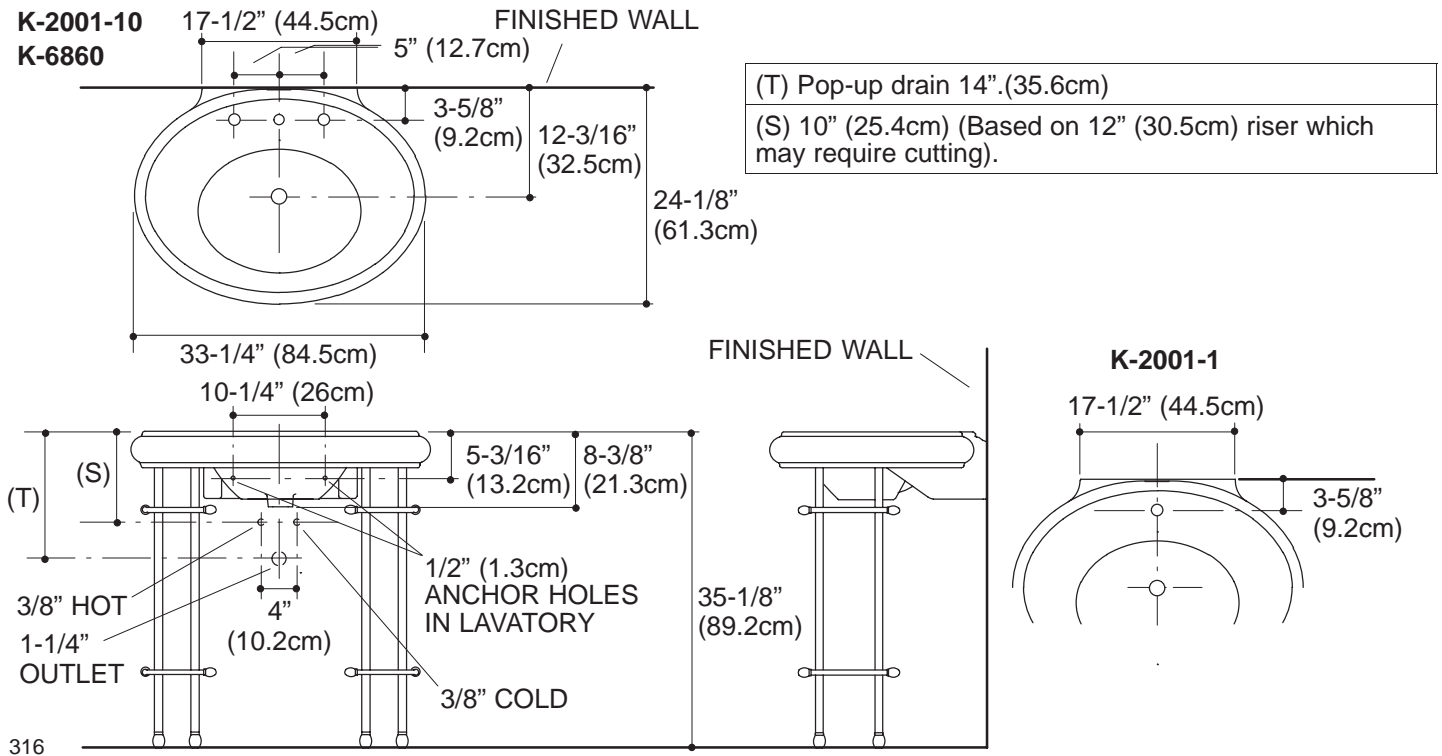
Holes	K-2001-10	K-2001-1
Spout	1-3/8" D. (3.5cm)	1-3/8" D. (3.5cm)
Faucet	1-3/8" D. (3.5cm)	

Included Components:	
Lavatory accessory pack	84017

## INSTALLATION NOTES

Install this product according to the installation guide.

Fixture dimensions are nominal and conform to tolerances in ASME Standard A112.19.2M.



## PRODUCT DIAGRAM