

### Features

- Cast iron
- ADA compliant
- Without overflow
- Undercounter
- 20-5/8" (52.4 cm) x 15-1/4" (38.7 cm)

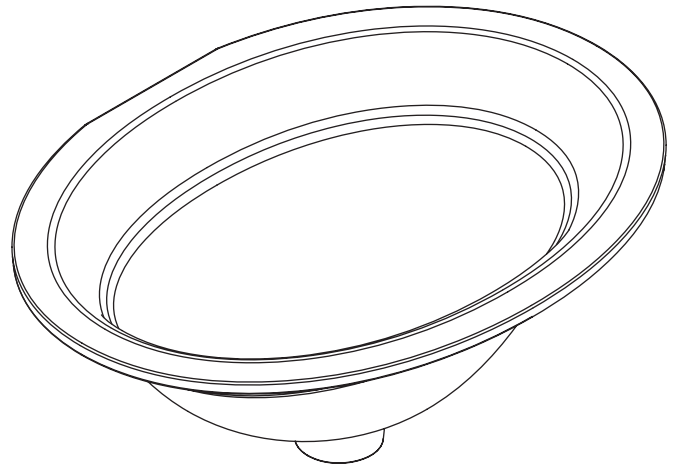
## UNDERCOUNTER LAVATORY K-2824

ADA

### Codes/Standards Applicable

Specified model meets or exceeds the following:

- ADA
- ASME A112.19.1
- IAPMO/UPC
- Listed in State of Massachusetts
- CSA International
- ICC/ANSI A117.1



### Colors/Finishes

- 0: White
- Other: Refer to Price Book for additional colors/finishes

### Accessories:

- CP: Polished Chrome
- Other: Refer to Price Book for additional colors/finishes

### Specified Model

Model	Description	Colors/Finishes	
K-2824	Undercounter lavatory	<input type="checkbox"/> 0 White	<input type="checkbox"/> Other_____
<b>Required Accessory</b>			
K-7701	Drain	<input type="checkbox"/> CP	<input type="checkbox"/> Other_____
<b>Recommended Accessory</b>			
K-9018	Trap	<input type="checkbox"/> CP	<input type="checkbox"/> Other_____

### Product Specification

The undercounter lavatory shall be 20-5/8" (52.4 cm) in length, and 15-1/4" (38.7 cm) in width. Lavatory shall be made of cast iron. Lavatory shall be ADA compliant. Lavatory will not have an overflow. Lavatory shall be Kohler Model K-2824-\_\_\_\_\_.

## Technical Information

Fixture:*		basin area	water depth
Lavatory		17-3/4" (45.1 cm) x 12-3/4" (32.4 cm)	6-7/16" (16.4 cm)
Drain hole	1-5/8" D. (4.1 cm)		
* Approximate measurements for comparison only.			

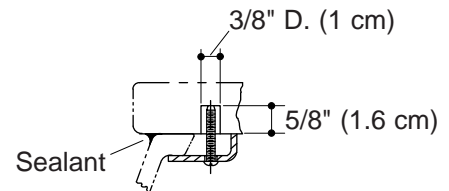
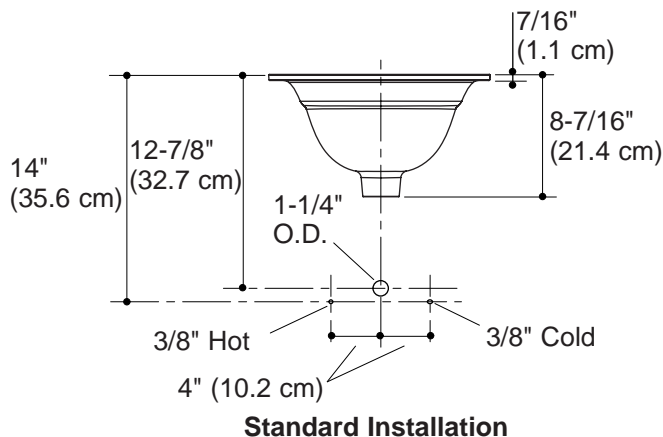
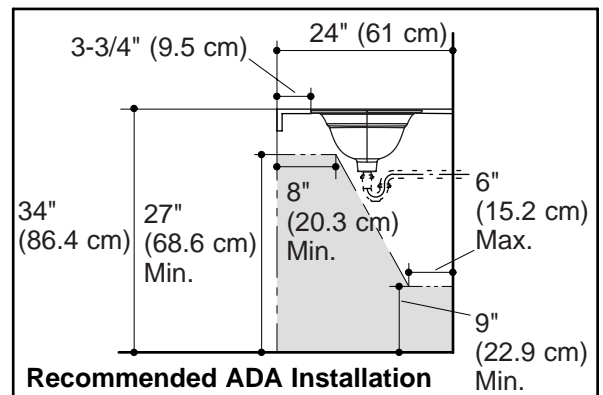
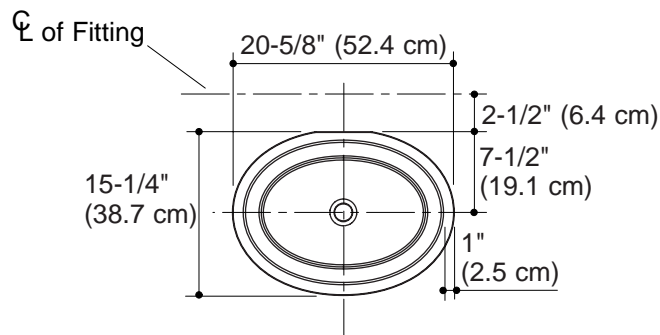
Included Components:	
Adhesive sealant	81489
Basin clamp assembly	52047
Cut-out template	1035467-7

## Installation Notes

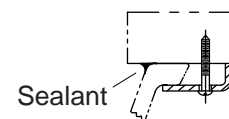
Install this product according to the installation guide.

Supplied basin clamp assemblies require 1" (2.5 cm) minimum countertop thickness. Installer must supply anchors for thinner countertops.

**NOTICE:** The countertop manufacturer or cutter **must** use the cutout template provided with the product, or a current one provided by the Kohler Co. (call 1-800-4-KOHLER). Kohler Co. is not responsible for cutout errors when the incorrect cutout template is used.



**Marble Installation**



**Wood Installation**

## Product Diagram