

FEATURES

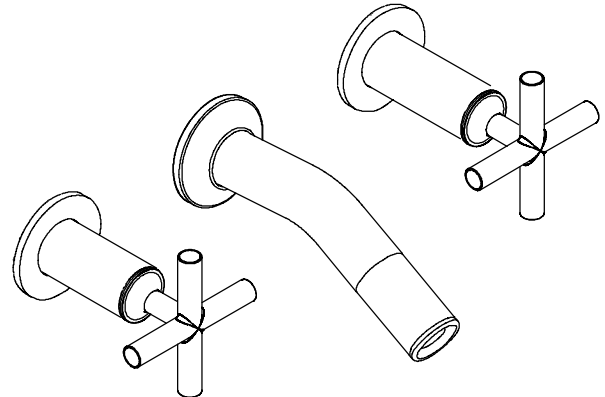
- Dual control wall mounted faucet
- Brass construction
- 2.0 gallons (7.6L) per minute
- Cross and lever handles

ADA

CODES/STANDARDS APPLICABLE

Specified model meets or exceeds the following:



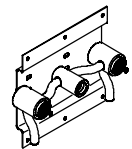
- ADA
- ASME A112.18.1
- CSA B125
- Energy Policy Act of 1992
- IAPMO/UPC
- NSF 61



COLORS/FINISHES

- CP Polished Chrome
- Other Refer to Price Book for additional finishes

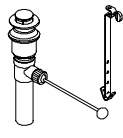
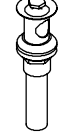
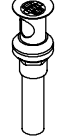
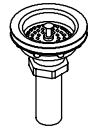
SPECIFIED MODEL:

Model	Description	 ADA	 ADA
K-T14419-3	Purist Cross Handles With a 5-5/16" (13.5cm) Laminar Spout (shown)	<input type="checkbox"/> CP <input type="checkbox"/> Other _____	
K-T14419-4	Purist Lever Handles With a 5-5/16" (13.5cm) Laminar Spout		<input type="checkbox"/> CP <input type="checkbox"/> Other _____
Required Accessory			
K-410-K	Wall-Mount Valve		<input type="checkbox"/> NA

Optional Accessories on Page 2.

PRODUCT SPECIFICATION:
Dual-control wall-mount faucet shall be of brass construction. Product shall include cross or lever handle. Trim shall be Kohler Model K-T _____ - _____ - _____.

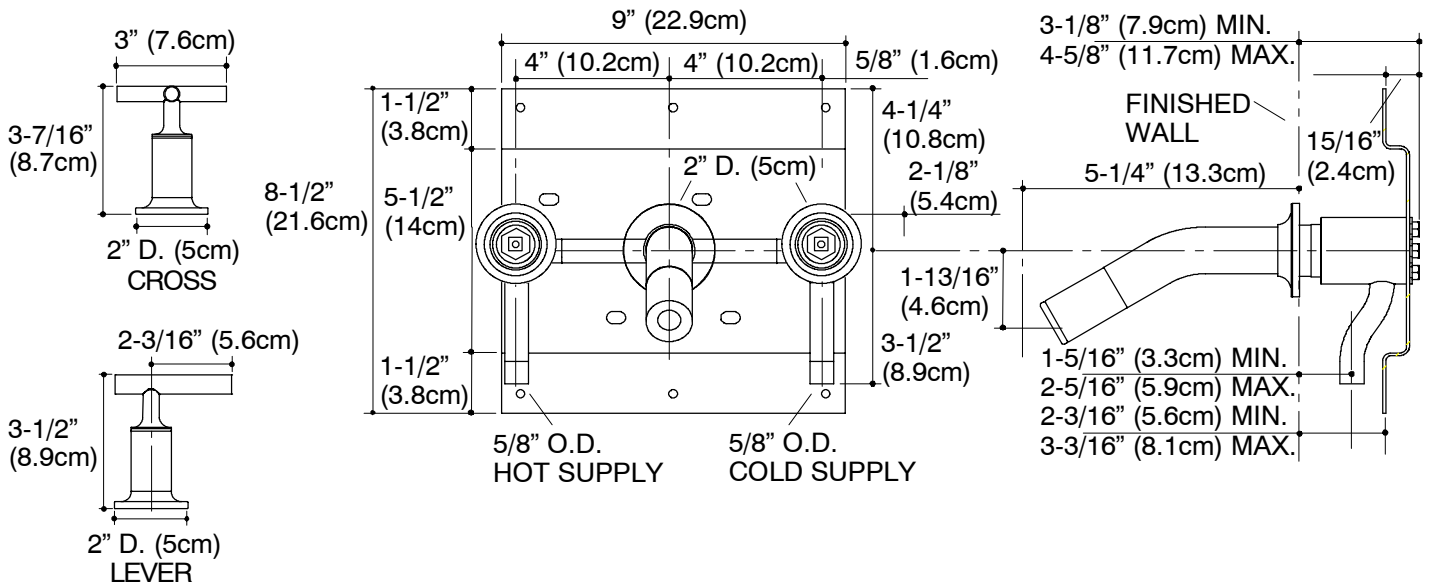
PURIST™

Optional Accessories					
K-7702	Pop-Up Lavatory Drain	<input type="checkbox"/> CP			
K-7710	Lavatory Drain		<input type="checkbox"/> CP		
K-7715	Lavatory Drain			<input type="checkbox"/> CP	
K-8801	Duostrainer Sink Strainer				<input type="checkbox"/> CP <input type="checkbox"/> Other _____

INSTALLATION NOTES

1-1/2" (3.8cm) to 6" (15.2cm) minimum must be maintained between bottom of spout and top of the fixture rim.

Three 1-1/2" D. (3.8cm) cut-out holes required for spout and handle.



PRODUCT DIAGRAM