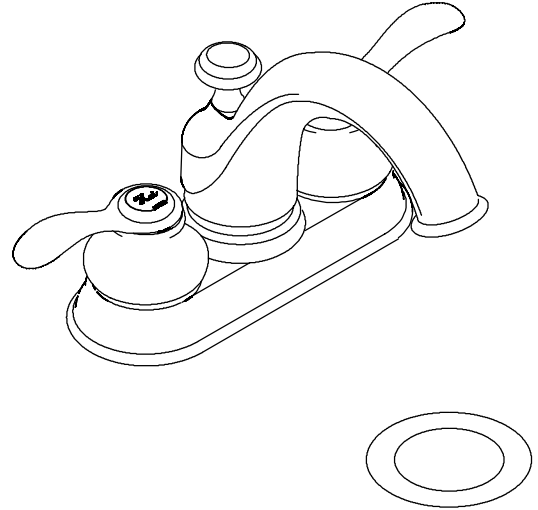


**LAVATORY FAUCET
K-12266**

FEATURES

- Cast brass waterway
- For 4" (10.2cm) centers
- Brass valve bodies
- Quarter-turn washerless ceramic disc valves
- 4-1/2" (11.4cm) spout
- 2.2 gallons (8.3L) per minute
- Pop-up drain with lift rod and tailpiece
- Lever handles

ADA



CODES/STANDARDS APPLICABLE

Specified model meets or exceeds the following:

- ASME/ANSI A112.18.1M
- CSA International B125
- Energy Policy Act of 1992
- IAPMO/UPC
- NSF 61

COLORS/FINISHES

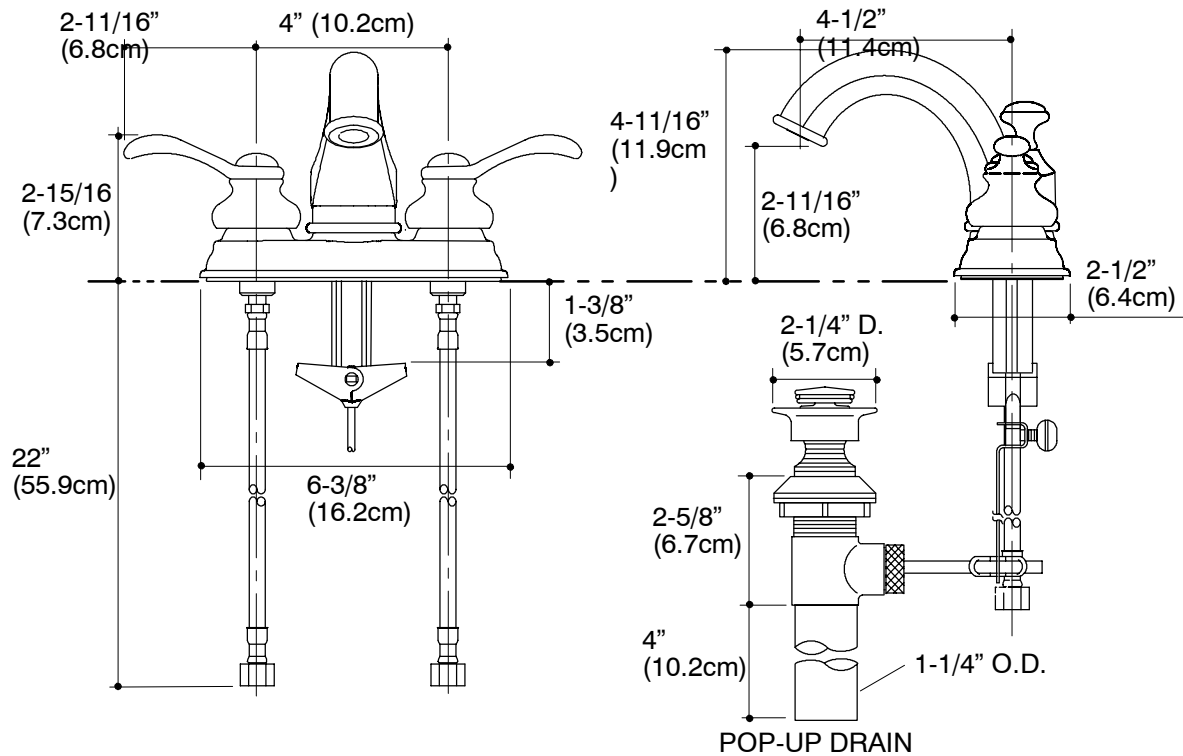
- CP Polished Chrome
- Other Refer to Faucets Price Book for additional finishes

SPECIFIED MODEL:

Model	Description	
K-12266	Fairfax Centerset Lavatory Faucet	<input type="checkbox"/> CP

PRODUCT SPECIFICATION:

Two-handle centerset lavatory faucet shall be of brass construction. Faucet shall feature brass valve bodies. Faucet shall feature quarter-turn washerless ceramic disc valves, assuring positive handle stop positioning. Product shall include 4" (10.2cm) centers, 4-1/2" (11.4cm) spout, pop-up drain with lift rod and tailpiece, and lever handles. Faucet shall be Kohler Model K-12266.



PRODUCT DIAGRAM