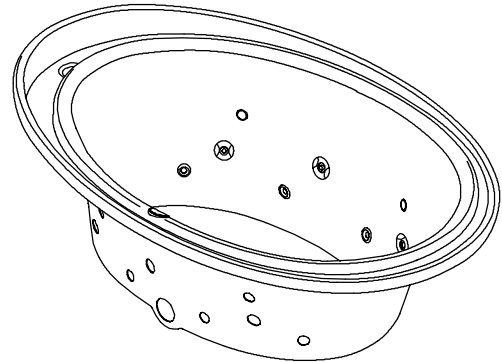


### FEATURES

- 72" (182.9cm) x 46" (116.8cm) x 25-11/16" (65.2cm)
- Acrylic
- Deep bathing well 21" (53.3cm)
- 1.5 hp variable speed pump with 1.5 kW heater, back-lit user keypad and remote control
- 6 Flexjets
- 8 effervescence ports
- 4 chromatherapy lights
- Overflows into horizontal overflow drain for maximum bathing depth
- 240V, 20A electrical service
- UL Listed
- Color-matched jet trim included
- Coordinating Purist™ Suite

### HOMESPA BATH WHIRLPOOL WITH SPA PACKAGE K-1110-AH



### CODES/STANDARDS APPLICABLE

Specified model meets or exceeds the following:

- ANSI Z124.1
- ASME A112.19.7
- IAPMO/UPC
- Underwriters Laboratories (UL)

### COLORS/FINISHES

- 0 White
- Other Refer to Fixtures Price Book for additional colors

#### Accessories:

- CP Polished Chrome
- PB Polished Brass
- Other Refer to Price Book for additional finishes

### SPECIFIED MODEL:

Model	Description	Colors/Finishes		
K-1110-AH	Bath whirlpool with Spa Package	<input type="checkbox"/> 0 White	<input type="checkbox"/> Other _____	
<b>Required Accessories</b>				
K-7202	Drain	<input type="checkbox"/> CP	<input type="checkbox"/> PB	<input type="checkbox"/> Other _____
<b>Optional Accessories</b>				
K-1491	Pillow	<input type="checkbox"/> 0 White	<input type="checkbox"/> Other _____	
K-1601	Footstop	<input type="checkbox"/> 0 White	<input type="checkbox"/> Other _____	

### PRODUCT SPECIFICATION:

The bath whirlpool shall be 72" (182.9cm) in length, 46" (116.8cm) in width, and 25-11/16" (65.2cm) in height. Bath whirlpool shall be made of acrylic. Bath whirlpool shall have 6 Flexjets, 8 effervescence ports, 4 chromatherapy lights, 1.5 hp variable speed pump, 1.5 kW heater, back-lit user keypad and remote control. Bath whirlpool overflows into horizontal overflow drain for maximum bathing depth. Bath whirlpool shall be UL listed. Bath whirlpool shall coordinate with Purist™ Suite. Bath whirlpool shall be Kohler Model K-1110-AH-\_\_\_\_\_.

## PRODUCT INFORMATION

Fixture*:	basin area	top area	weight	
Bathing well	45" (114.3cm) x 25-1/2" (64.8cm)	63" (160cm) x 31-1/2" (80cm)	160 lbs. (72.6kg)	
water depth to rim		21" (53.3cm)		
capacity		115 gal. (435.3L)		
* Approximate measurements for comparison only.				
Pump	Heater	Voltage	Frequency	Amperage
1.5 HP	1.5 kW	240 V	50/60 Hz	11 A
Cut-out template		1016369-7		
Minimum access panel:				
Pump/control	34" (86.4cm) W x 15" (38.1cm) H	required		

## REQUIRED ELECTRICAL SERVICE

Dedicated circuit required, protected with Class A Ground-Fault Circuit-Interrupter (GFCI) or Earth-Leakage Circuit-Breaker (ELCB):

Pump/control	220/240 V, 20 A, 50/60 Hz
--------------	---------------------------

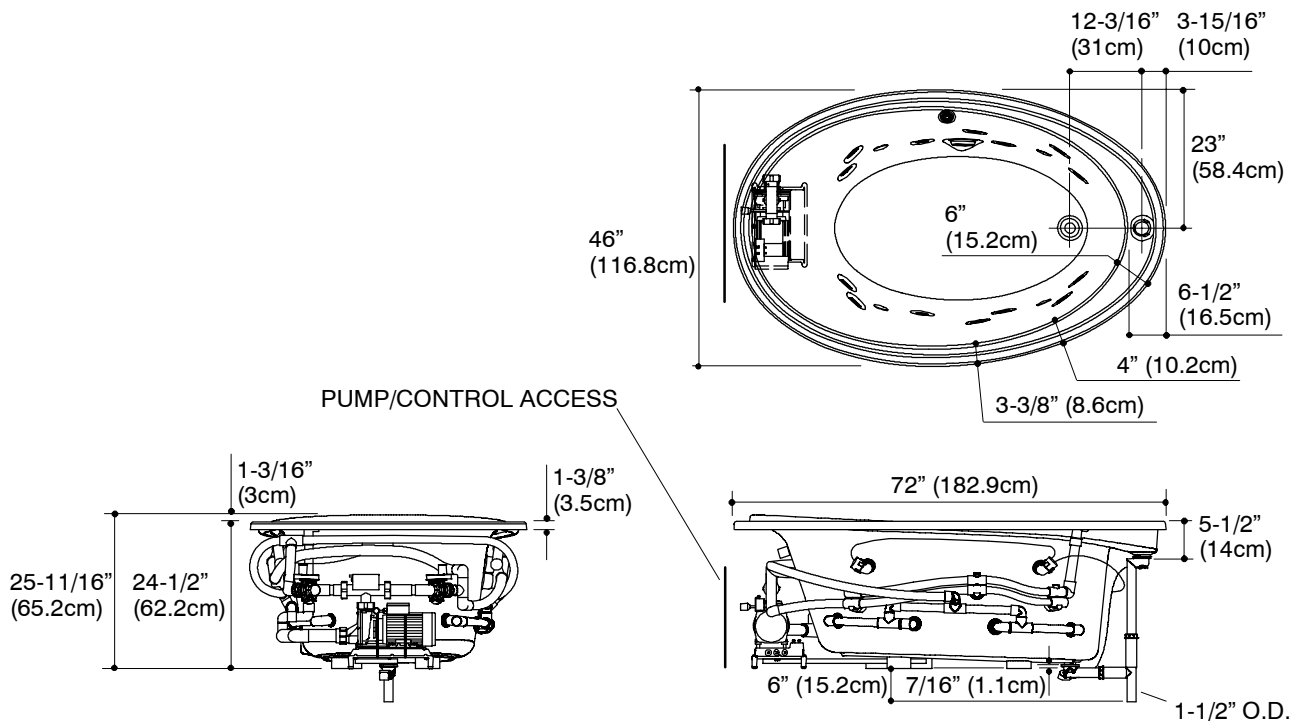
## INSTALLATION NOTES

Install this product according to the installation guide.

Floor support under whirlpool must provide for a minimum of 1400 lbs. (635kg)

No change in measurements if connected with drain illustrated. (K-7202)

Hot water supply should be 70% of capacity or greater. Installations will vary.



## PRODUCT DIAGRAM