

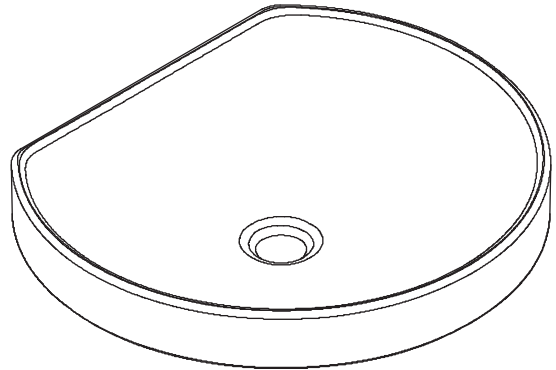
Features

- Vitreous china
- Above-the-counter
- With sealant
- 18-5/8" (47.3 cm) x 16-3/16" (41.1 cm)

Codes/Standards Applicable

Specified model meets or exceeds the following:

- ASME A112.19.2
- IAPMO/UPC
- Canadian Standards Association (CSA)



Colors/Finishes

- 0: White
- Other: Refer to Price Book for additional colors/finishes

Accessories:

- CP: Polished Chrome
- NA: Not applicable
- Other: Refer to Price Book for additional colors/finishes

Specified Model

Model	Description	Colors/Finishes	
K-2332	Lavatory	<input type="checkbox"/> 0 White	<input type="checkbox"/> Other_____
Required Accessories			
K-7710	Metal stopper OR	<input type="checkbox"/> CP	<input type="checkbox"/> Other_____
K-7715	Grid drain	<input type="checkbox"/> CP	<input type="checkbox"/> Other_____
Recommended Accessories			
K-9018	P-trap	<input type="checkbox"/> CP	<input type="checkbox"/> Other_____
K-14407	Purist™ widespread faucet with high handles	<input type="checkbox"/> CP	<input type="checkbox"/> Other_____

Product Specification:

The lavatory shall be 18-5/8" (47.3 cm) in length, and 16-3/16" (41.1 cm) in width. Lavatory shall be made of vitreous china. Lavatory shall be above-the-counter. Lavatory shall have sealant. Lavatory shall be Kohler Model K-2332-_____.

VESSELS WATERCOVE™

Technical Information

Fixture:*		basin area	water depth
Lavatory		17-11/16" (44.9 cm) x 15-5/16" (38.9 cm)	3-1/2" (8.9 cm)
Outlet	1-3/4" (4.4 cm) D.		

* Approximate measurements for comparison only.

Included Components:	
Adhesive sealant	63034
Cutout template	1020955-7

Installation Notes

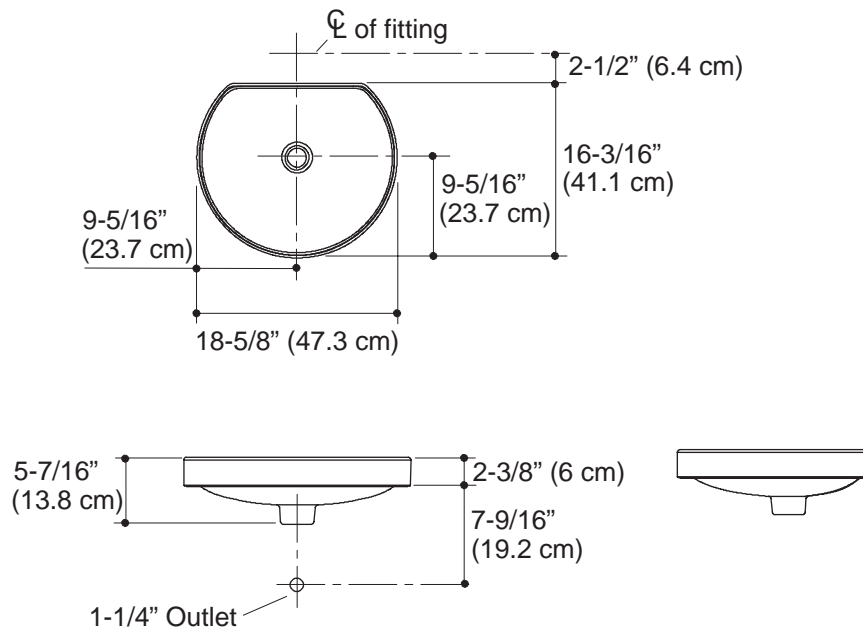
Install this product according to the installation guide.

Product does not have an overflow.

Choose a faucet that will provide adequate clearance and will direct the water stream to the center of the lavatory.

IMPORTANT! Product rests on a countertop. Consider height of product when designing installation.

NOTICE: Countertop manufacturer or cutter must use the cutout template provided with the product, or a current one provided by Kohler (call 1-800-43-FOCUS). Kohler is not responsible for cutout errors when incorrect cutout template is used.



Product Diagram