

5.5' BATH WHIRLPOOL

K-809-H2, K-809-LH/-RH

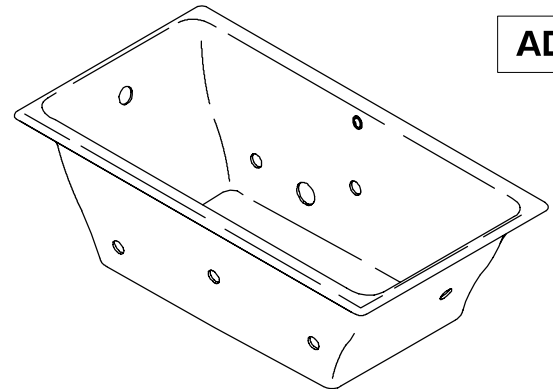
FEATURES

- 66" (167.6cm) x 36" (91.4cm) x 24" (61cm)
- Cast iron with Safeguard® slip-resistant finish
- 1.5 hp variable speed pump with 1.5 kW heater, and back-lit user control
- 8 Flexjets
- UL Listed
- LESS ALL TRIM

CODES/STANDARDS APPLICABLE

Specified model meets or exceeds the following:

- ADA
- ASME/ANSI A112.19.1M
- ASME/ANSI A112.19.7M
- CABO/ANSI A117.1
- IAPMO/UPC
- Underwriters Laboratories (UL)



COLORS/FINISHES

- 0 White
- Other Refer to Price Book for additional colors

Accessories:

- CP Polished Chrome
- PB Polished Brass
- Other Refer to Price Book for additional finishes
- NA None Applicable

SPECIFIED MODEL:

Model	Description	Colors/Finishes	
K-809-H2	Bath whirlpool, drop-in rim style	<input type="checkbox"/> 0 White	<input type="checkbox"/> Other_____
K-809-LH	Bath whirlpool with integral flange, left drain	<input type="checkbox"/> 0 White	<input type="checkbox"/> Other_____
K-809-RH	Bath whirlpool with integral flange, right drain	<input type="checkbox"/> 0 White	<input type="checkbox"/> Other_____

Required Accessories				
K-9698	Jet trim kit	<input type="checkbox"/> CP	<input type="checkbox"/> PB	<input type="checkbox"/> Other_____
K-7145	Drain	<input type="checkbox"/> CP	<input type="checkbox"/> PB	<input type="checkbox"/> Other_____
Optional Accessories				
K-587	Undermount installation kit (template and installation instructions)			<input type="checkbox"/> NA
K-1491	Pillow	<input type="checkbox"/> 0 White	<input type="checkbox"/> Other_____	
K-1601	Footstop	<input type="checkbox"/> 0 White	<input type="checkbox"/> Other_____	
K-1703	Remote control	<input type="checkbox"/> NA		

PRODUCT SPECIFICATION:

The bath whirlpool shall be 66" (167.6cm) in length, 36" (91.4cm) in width, and 24" (61cm) in height. Bath whirlpool shall be made of cast iron with Safeguard® finish. Bath whirlpool shall have 8 Flexjets, 1.5 hp variable speed pump, 1.5 kW heater, and back-lit user control. Bath whirlpool shall be UL listed. Bath whirlpool shall be less all trim. Bath whirlpool shall be Kohler Model K-809-_____-_____.

PRODUCT INFORMATION

Fixture*:	basin area	top area	weight	
Bathing well	45" (114.3cm) x 25" (63.5cm)	58" (147.3cm) x 29" (73.7cm)	510 lbs. (231.3kg)	
	water depth	capacity		
To overflow	17-3/4" (45.1cm)	97 gal. (365.2L)		
* Approximate measurements for comparison only.				
Pump	Heater	Voltage	Frequency	Amperage
1.5 HP	1.5 kW	240 V	50/60 Hz	11 A

REQUIRED ELECTRICAL SERVICE

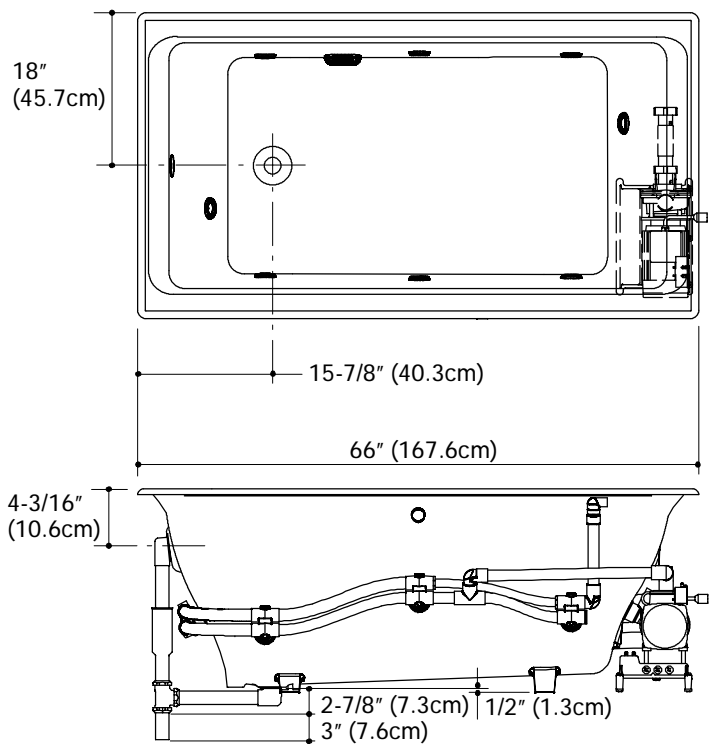
Dedicated circuit required, protected with Class A Ground-Fault Circuit-Interrupter (GFCI) or Earth-Leakage Circuit-Breaker (ELCB):	
Pump/control	220/240 V, 20 A, 50/60 Hz

INSTALLATION NOTES

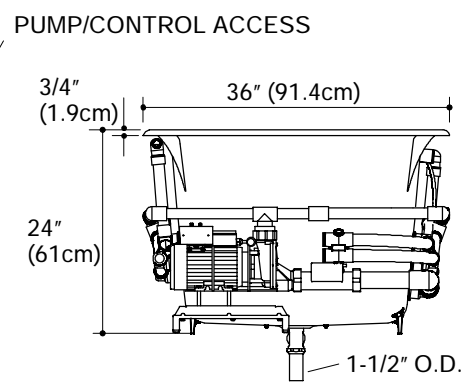
Install this product according to the installation guide.

Floor support under whirlpool must provide for a minimum of 2000 lbs. (907.2kg)

Hot water supply should be 70% of capacity or greater. Installations will vary.



No change in measurements if connected with drain illustrated. (K-7145 or K-7145M)		
Drop-in cut-out	64-1/2" (163.8cm) x 34-1/2" (87.6cm)	
Cut-out for undermount	K-587 template	
Minimum access panel:		
Pump/control	34" (86.4cm) W x 15" (38.1cm) H	required



PRODUCT DIAGRAM