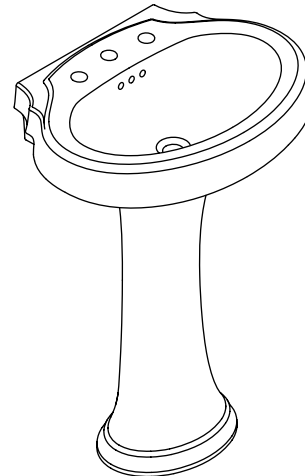


Features

- Vitreous china
- Pedestal lavatory
- 8" (20.3 cm) centers (-8), 4" (10.2 cm) centers (-4), or single-hole (-1)
- With overflow
- 27" (68.6 cm) x 20-1/8" (51.1 cm) x 36" (91.4 cm)

PEDESTAL LAVATORY K-2326



Codes/Standards Applicable

Specified model meets or exceeds the following:

- ASME A112.19.2

Colors/Finishes

- 0: White
- Other: Refer to Price Book for additional colors/finishes

Accessories:

- CP: Polished Chrome
- Other: Refer to Price Book for additional colors/finishes

Specified Model

Model	Description	Colors/Finishes	
K-2326-8	8" (20.3 cm) centers pedestal lavatory	<input type="checkbox"/> 0 White	<input type="checkbox"/> Other_____
K-2326-4	4" (10.2 cm) centers pedestal lavatory	<input type="checkbox"/> 0 White	<input type="checkbox"/> Other_____
K-2326-1	Single-hole pedestal lavatory	<input type="checkbox"/> 0 White	<input type="checkbox"/> Other_____
Recommended Accessories			
K-7605-P	Lavatory supplies 3/8" (pair)	<input type="checkbox"/> CP	<input type="checkbox"/> Other_____
K-8998	Trap	<input type="checkbox"/> CP	<input type="checkbox"/> Other_____

Product Specification:

The pedestal lavatory shall be 27" (68.6 cm) in length, 20-1/8" (51.1 cm) in width, and 36" (91.4 cm) in height. Pedestal lavatory shall be made of vitreous china. Pedestal lavatory shall have 8" (20.3 cm) centers (-8), 4" (10.2 cm) centers (-4), or single-hole (-1) drilling. Pedestal lavatory shall have overflow. Pedestal lavatory shall be Kohler Model K-_____-_____

LEIGHTON™

Technical Information

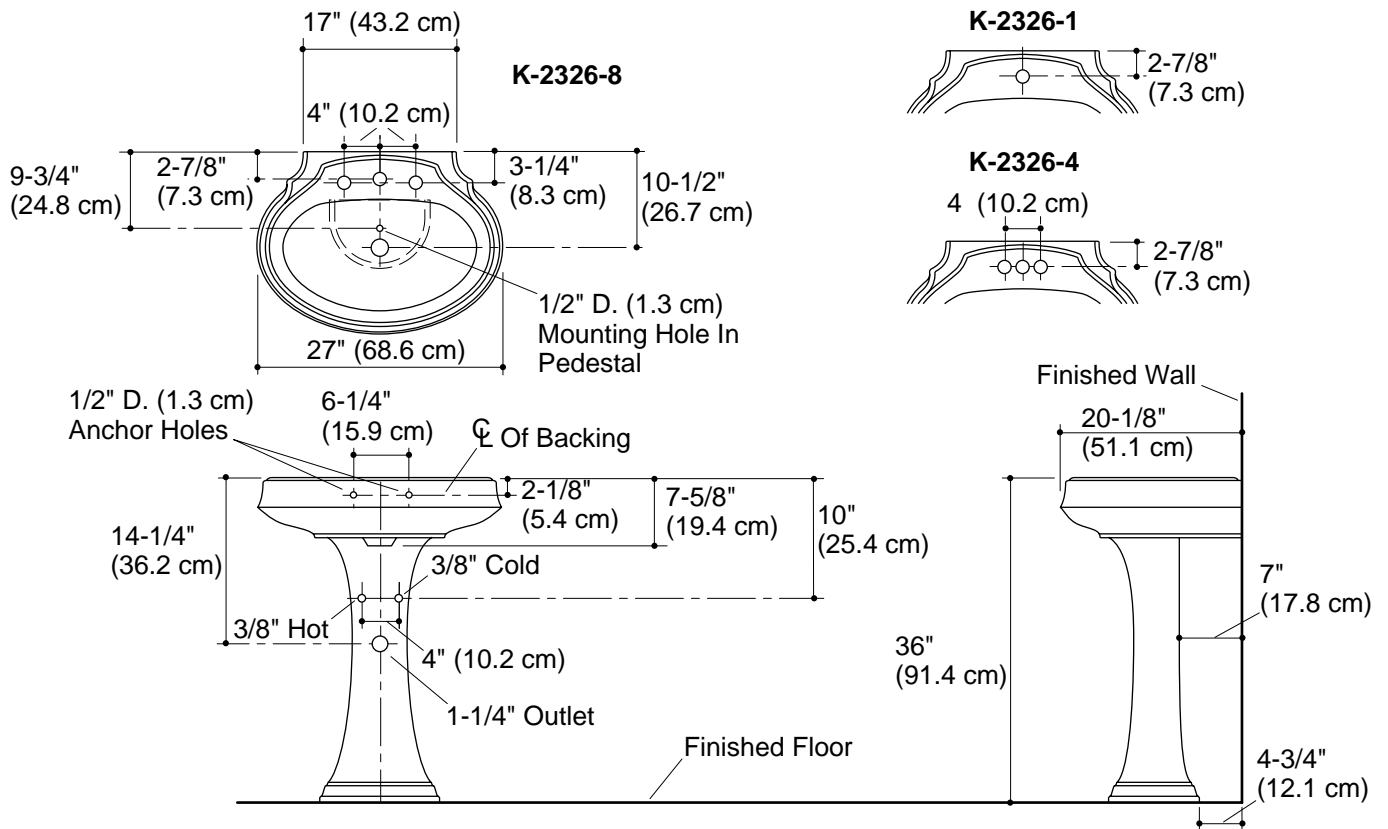
Fixture:		basin area	water depth
Lavatory		21-1/2" (54.6 cm) x 12-1/4" (31.1 cm)	4-1/8" (10 cm)
Outlet	1-3/4" D. (4.4 cm)		

Holes	K-2326-8	K-2326-4	K-2326-1
Spout	1-3/8" D. (3.5 cm)	1-1/4" D. (3.2 cm)	1-3/8" D. (3.5 cm)
Faucet	1-3/8" D. (3.5 cm)	1-1/4" D. (3.2 cm)	

Included Components:	
Lavatory basin, single-hole	K-2327-1
Lavatory basin, 4" (10.2 cm) centers	K-2327-4
Lavatory basin, 8" (20.3 cm) centers	K-2327-8
Pedestal	K-2328
Pedestal accessory pack	1023546
Rubber pads	63069

Installation Notes

Install this product according to the installation guide.



Product Diagram