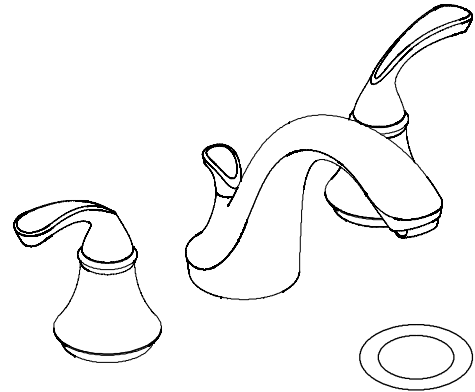


**LAVATORY FAUCET  
K-10272  
ALSO K-10273**

**FEATURES**

- Metal construction
- Flexible connections
- Brass valve bodies
- Reversible quarter-turn washerless ceramic disc valves
- 5-1/8" (13cm) spout
- 2.2 gallons (8.3L) per minute
- Pop-up drain with lift rod and tailpiece
- Lever handles



**CODES/STANDARDS APPLICABLE**





Specified model meets or exceeds the following:

- ASME/ANSI A112.18.1M
- CSA B125
- Energy Policy Act of 1992
- IAPMO/UPC
- NSF 61

**COLORS/FINISHES**

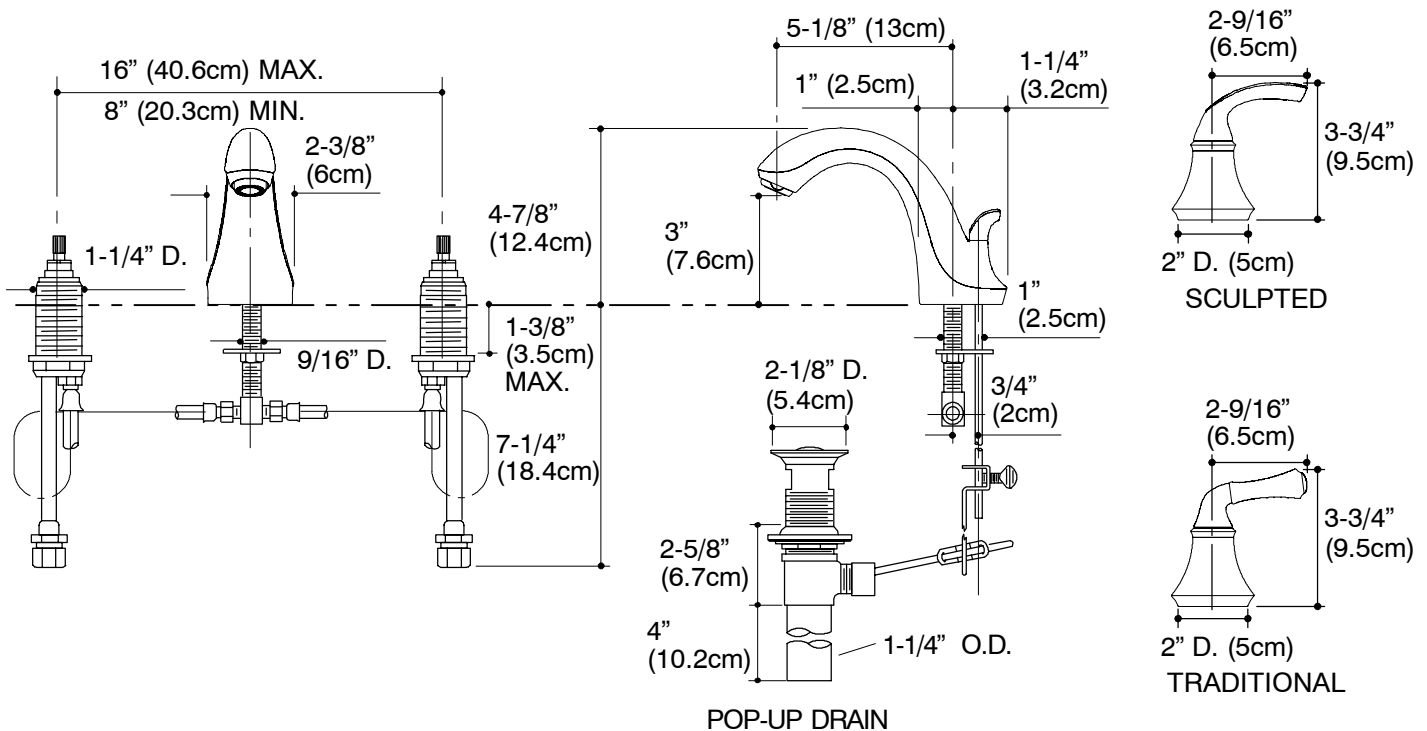
- CP Polished Chrome
- Other Refer to Faucets Price Book for additional finish

**SPECIFIED MODEL:**

Model	Description	 	 
K-10272-4	Forté™ Sculpted Lever Handle With Metal Drain (shown)	<input type="checkbox"/> CP <input type="checkbox"/> Other_____	
K-10272-4A	Forté™ Traditional Lever Handle With Metal Drain		<input type="checkbox"/> CP <input type="checkbox"/> Other_____
K-10273-4	Forté™ Sculpted Lever Handle With Plastic Drain	<input type="checkbox"/> CP <input type="checkbox"/> Other_____	
K-10273-4A	Forté™ Traditional Lever Handle With Plastic Drain		<input type="checkbox"/> CP <input type="checkbox"/> Other_____

**PRODUCT SPECIFICATION:**

Two-handle widespread lavatory faucet shall be of metal construction. Faucet shall feature reversible quarter-turn washerless ceramic disc valves, assuring positive handle stop positioning. Product shall include flexible connections, 5-1/8" (13cm) spout, pop-up drain with lift rod and tailpiece, and lever handles. Faucet shall be Kohler Model K-\_\_\_\_\_-\_\_\_\_\_.



316

PRODUCT DIAGRAM