

VITREOUS CHINA SELF-RIMMING LAVATORY

K-2085

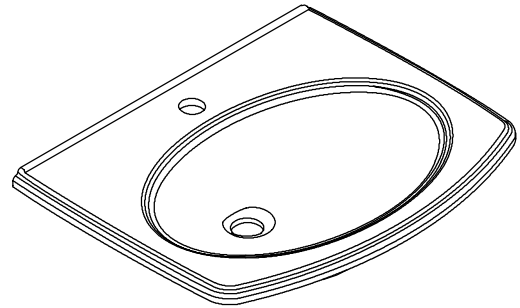
FEATURES

- 22-1/2" (57.1cm) x 18" (45.7cm)
- Vitreous China
- Self-rimming
- 8" (20.3cm) centers (-8), 4" (10.2cm) centers (-4), or single-hole (-1)
- With overflow

CODES/STANDARDS APPLICABLE

Specified model meets or exceeds the following:

- ASME/ANSI A112.19.2M
- IAPMO/UPC
- Canadian Standards Association (CSA)
- State of Massachusetts



COLORS/FINISHES

- 0 White
- Other Refer to Price Book for additional colors

Accessories:

- CP Polished Chrome
- Other Refer to Price Book for additional finishes

SPECIFIED MODEL:

Model	Description	Colors/Finishes	
		<input type="checkbox"/> 0 White	<input type="checkbox"/> Other _____
K-2085-8	8" (20.3cm) centers lavatory	<input type="checkbox"/> 0 White	<input type="checkbox"/> Other _____
K-2085-4	4" (10.2cm) centers lavatory	<input type="checkbox"/> 0 White	<input type="checkbox"/> Other _____
K-2085-1	Single-hole lavatory	<input type="checkbox"/> 0 White	<input type="checkbox"/> Other _____
Recommended Accessories			
K-8998	Trap	<input type="checkbox"/> CP	<input type="checkbox"/> Other _____

PRODUCT SPECIFICATION:

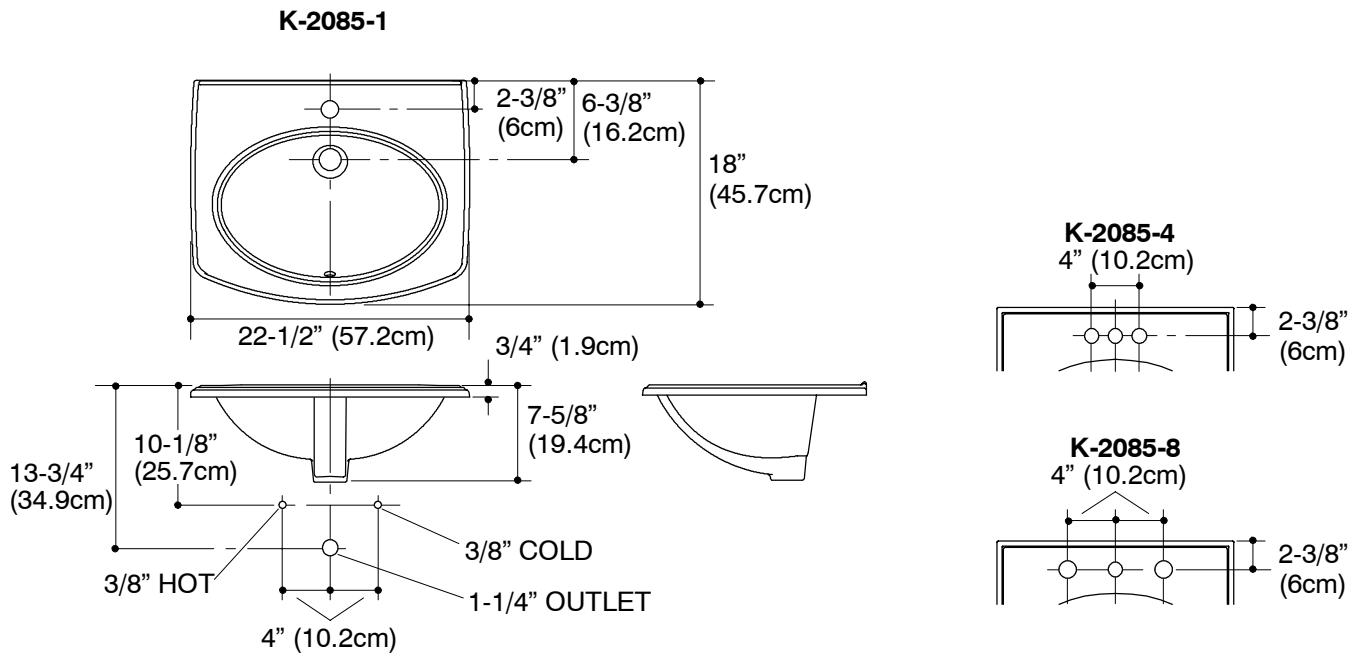
The self-rimming lavatory shall be 22-1/2" (57.1cm) in length, 18" (45.7cm) in width. Lavatory shall be made of vitreous china. Lavatory shall have 8" (20.3cm) centers (-8), 4" (10.2cm) centers (-4), or single-hole (-1) drilling. Lavatory shall have overflow. Lavatory shall be Kohler Model K-2085- _____ - _____.

PRODUCT INFORMATION

Fixture*:		basin area	water depth
Lavatory		19" (48.3cm) x 12-3/4" (32.4cm)	4" (10.2cm)
Drain hole	1-3/4" D. (4.4cm)		
Holes	K-2085-8	K-2085-4	K-2085-1
Spout	1-3/8" D. (3.5cm)	1-1/4" D. (3.2cm)	1-3/8" D. (3.5cm)
Faucet	1-3/8" D. (3.5cm)	1-1/4" D. (3.2cm)	
Included Components:			
Sealant	63034		
Cutout template	1015125-7		

INSTALLATION NOTES

Install this product according to the installation guide.



PRODUCT DIAGRAM