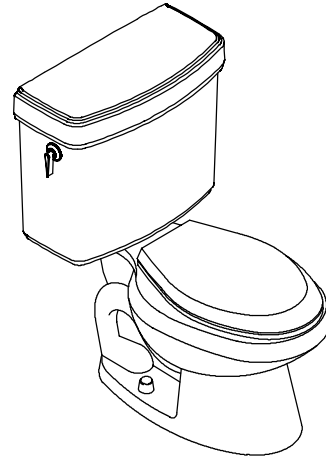


## FEATURES

- 12" (30.5cm) rough-in
- Ingenium™ flushing system
- Vitreous china
- Elongated bowl
- 1.6 gpf (6 lpf) performance compared to 3.5 gpf (13lpf) models
- 2" (5cm) glazed trapway
- 10-3/4" (27.3cm) x 9" (22.9cm) water area
- Includes polished chrome trip lever
- Combination toilet
- Less seat and supply
- With right hand trip lever (-RA)



## CODES/STANDARDS APPLICABLE

Specified model meets or exceeds the following:

- ASME/ANSI A112.19.2M
- Energy Policy Act of 1992 (EPACT)
- IAPMO/UPC
- Canadian Standards Association (CSA)

## COLORS/FINISHES

- 0 White
- Other Refer to Price Book for additional colors

### Accessories:

- CP Polished Chrome
- PB Polished Brass
- Other Refer to Price Book for additional colors

## SPECIFIED MODEL:

Model	Description	Colors/Finishes	
		<input type="checkbox"/> 0 White	<input type="checkbox"/> Other _____
K-3482	Elongated bowl toilet (left handed trip lever)	<input type="checkbox"/> 0 White	<input type="checkbox"/> Other _____
K-3482-RA	Elongated bowl toilet (right handed trip lever)	<input type="checkbox"/> 0 White	<input type="checkbox"/> Other _____

Recommended Accessories			
K-4653	French Curve™ seat with cover	<input type="checkbox"/> 0 White	<input type="checkbox"/> Other _____
K-7637	Angle supply with stop	<input type="checkbox"/> CP	<input type="checkbox"/> PB <input type="checkbox"/> Other _____
21401	Floor bolts (pr.)		

Optional Accessories			
K-9438	Trip lever for K-3482 (non-CP)	<input type="checkbox"/> PB	<input type="checkbox"/> Other _____

## PRODUCT SPECIFICATION:

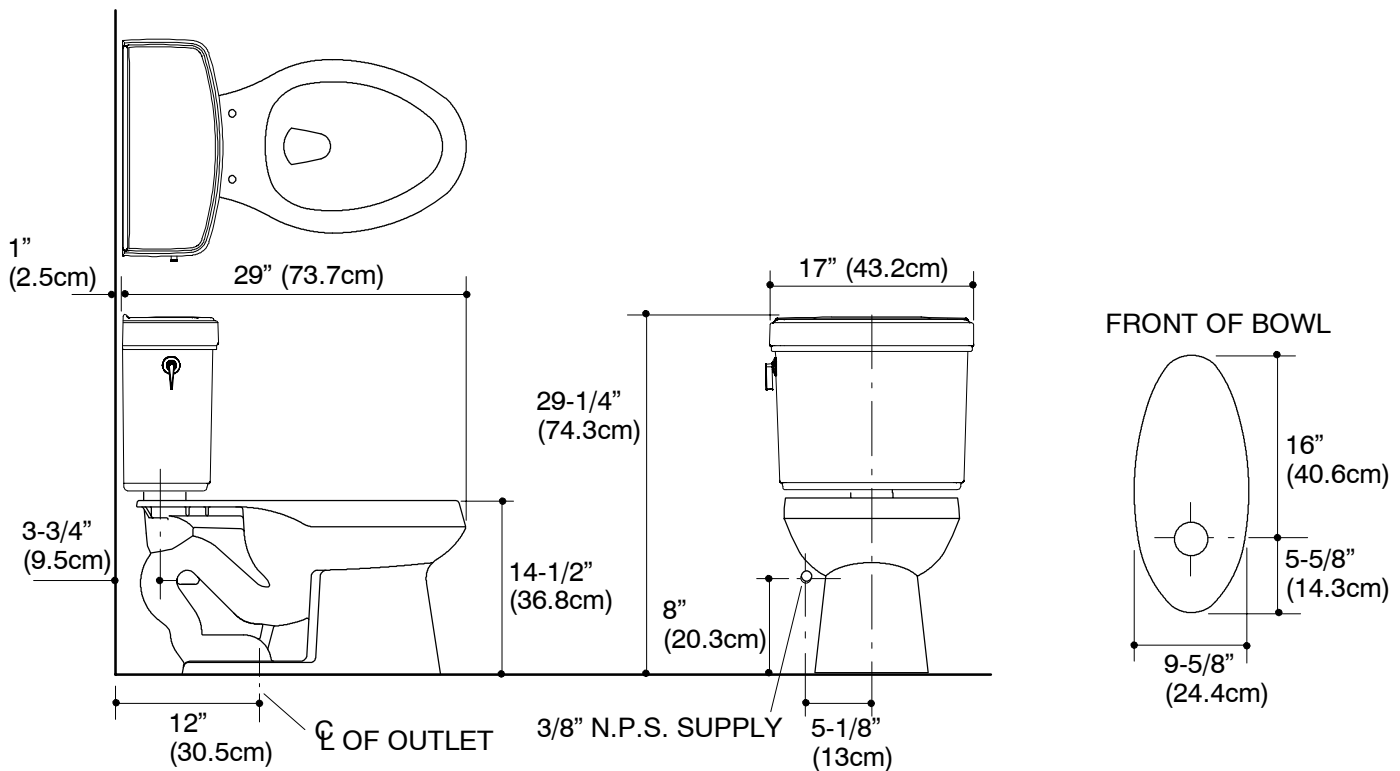
The elongated toilet combination shall be 12" (30.5cm) rough-in. Toilet shall be made of vitreous china. Toilet shall be 1.6 gpf (6 lpf). Toilet shall have 2" (5cm) glazed trapway. Toilet shall have 10-3/4" (27.3cm) x 9" (22.9cm) water area. Toilet shall include polished chrome trip lever. Toilet shall be less seat and supply. Toilet shall include right hand trip lever (-RA) option. Toilet shall be Kohler Model K-3482-\_\_\_\_\_-\_\_\_\_\_.

## PRODUCT INFORMATION

Fixture:	
Configuration	2-piece, elongated
Water per flush	1.6 gallons (6L)
Passageway	2" (5cm)
Water area	10-3/4" (27.3cm) x 9" (22.9cm)
Water depth from rim	6" (15.2cm)
Seat post hole centers	5-1/2" (14cm)
Included Components:	
Bowl	K-4276
Tank	K-4609
Tank cover	1015137
Trip lever, left hand	85085
Trip lever, right hand	1007913

## INSTALLATION NOTES

Install this product according to the installation guide.



## PRODUCT DIAGRAM