

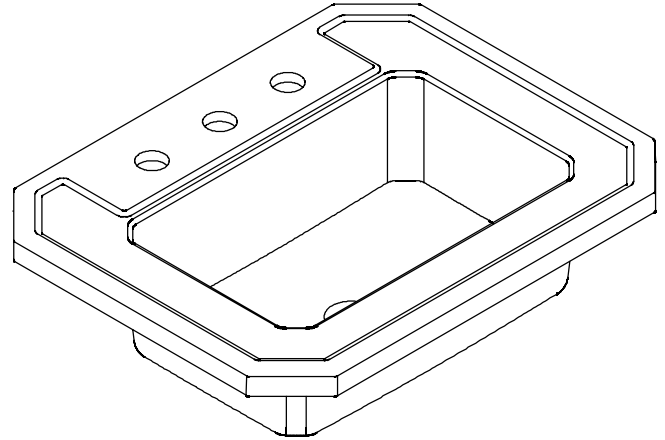
#### FEATURES

- 24" (61cm) x 19" (48.3cm)
- Vitreous China
- Self-rimming
- 8" (20.3cm) centers (-8), 4" (10.2cm) centers (-4), or single-hole (-1)
- With overflow

#### CODES/STANDARDS APPLICABLE

Specified model meets or exceeds the following:

- ASME/ANSI A112.19.2M



#### COLORS/FINISHES

- 0 White
- Other Refer to Fixtures Price Book for additional colors

#### Accessories:

- CP Polished Chrome
- Other Refer to Faucets Price Book for additional finishes

#### SPECIFIED MODEL:

Model	Description	Colors/Finishes	
K-2325-1	Single-hole lavatory	<input type="checkbox"/> 0 White	<input type="checkbox"/> Other _____
K-2325-4	4" (10.2cm) centers lavatory	<input type="checkbox"/> 0 White	<input type="checkbox"/> Other _____
K-2325-8	8" (20.3cm) centers lavatory	<input type="checkbox"/> 0 White	<input type="checkbox"/> Other _____

Recommended Accessories			
K-8998	Trap	<input type="checkbox"/> CP	<input type="checkbox"/> Other _____

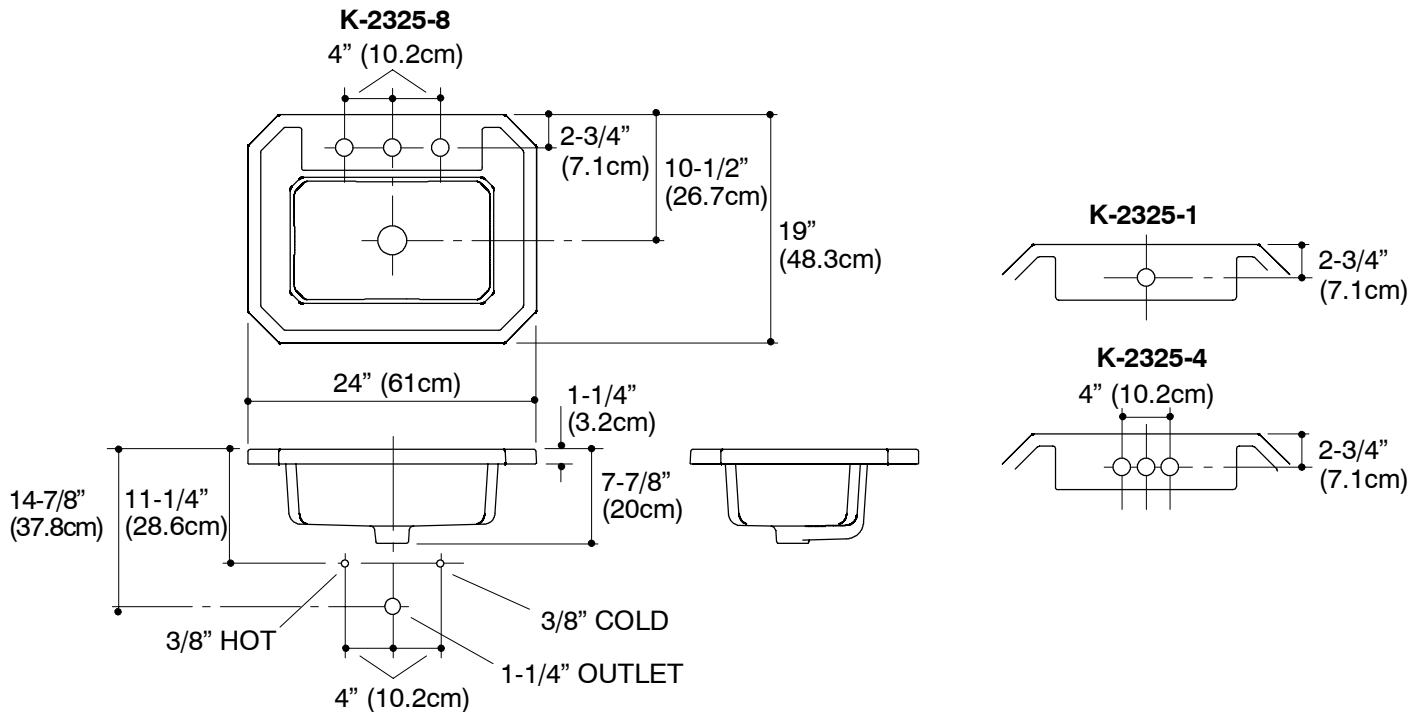
#### PRODUCT SPECIFICATION:

The self-rimming lavatory shall be 24" (61cm) in length, 19" (48.3cm) in width. Lavatory shall be made of vitreous china. Lavatory shall have 8" (20.3cm) centers (-8), 4" (10.2cm) centers (-4), or single-hole (-1) drilling. Lavatory shall have overflow. Lavatory shall be Kohler Model K-2325-\_\_\_\_\_ - \_\_\_\_\_

## PRODUCT INFORMATION

Fixture*:		basin area	water depth
Lavatory		17" (43.2cm) x 10-1/2" (26.7cm)	4-1/8" (10.5cm)
Outlet	1-3/4" D. (4.4cm)		
Holes	<b>K-2325-8</b>	<b>K-2325-4</b>	<b>K-2325-1</b>
Spout	1-3/8" D. (3.5cm)	1-1/4" (3.2cm)	1-3/8" D. (3.5cm)
Faucet	1-3/8" D. (3.5cm)	1-1/4" (3.2cm)	

Included Components:	
Adhesive sealant	63034
Cutout template	1014798-7



116

## PRODUCT DIAGRAM