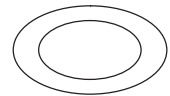
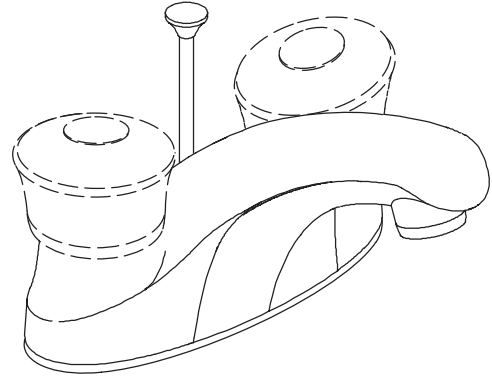


**LAVATORY FAUCET
K-15241**

FEATURES

- Metal construction
- For 4" (10.2cm) centers
- 4-1/4" (10.8) spout
- 2.2 gallons (8.3L) per minute
- Available with acrylic or lever handles
- Pop-up drain with lift rod and tailpiece



CODES/STANDARDS APPLICABLE



Specified model meets or exceeds the following:

- ASME/ANSI A112.18.1M
- CSA B125
- IAPMO/UPC
- NSF 61
- Energy Policy Act of 1992

COLORS/FINISHES

- CP Polished Chrome
- PB Polished Brass

SPECIFIED MODEL:

Model	Description			 ADA
K-15241-7	With Acrylic Handles, Pop-up Drain	<input type="checkbox"/> CP	<input type="checkbox"/> PB	
K-15241-4	With Lever Handles, Pop-up Drain			<input type="checkbox"/> CP <input type="checkbox"/> PB

PRODUCT SPECIFICATION:

Two-handle centerset lavatory faucet shall be of metal construction. Faucet shall feature reversible quarter-turn washerless ceramic disc valves, assuring positive handle stop positioning. Product shall include 4" (10.2cm) centers, 4-1/4" (10.8cm) spout, and acrylic or lever handles. Faucet shall be Kohler Model K-15241-_____-_____-_____.

