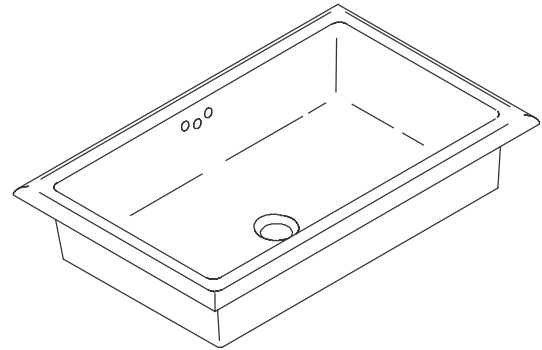


UNDERCOUNTER LAVATORY

K-2297

FEATURES

- 21" (53.3cm) x 13" (33cm)
- Vitreous china
- Undercounter
- With or without glazed underside
- With overflow
- Includes 52047 clamp assembly



CODES/STANDARDS APPLICABLE

Specified model meets or exceeds the following:

- ASME/ANSI A112.19.2M
- IAPMO/UPC
- CSA International B45

COLORS/FINISHES

- 0 White
- Other Refer to Fixtures Price Book for additional colors

SPECIFIED MODEL:

Model	Description	Colors/Finishes	
K-2297	21" (53.3cm) x 13" (33cm) lavatory	<input type="checkbox"/> 0 White	<input type="checkbox"/> Other_____
K-2297-G	21" (53.3cm) x 13" (33cm) lavatory with glazed underside	<input type="checkbox"/> 0 White	<input type="checkbox"/> Other_____

Recommended Accessories			
K-8998	P-trap	<input type="checkbox"/> CP	<input type="checkbox"/> Other_____

PRODUCT SPECIFICATION:

The undercounter lavatory shall be 21" (53.3cm) in length, and 13" (33cm) in width. Lavatory shall be made of vitreous china. Lavatory shall have glazed underside (K-2297-G) or without glazed underside (K-2297). Lavatory shall have overflow and include 52047 clamp assembly. Lavatory shall be Kohler Model K-2297-_____.

PRODUCT INFORMATION

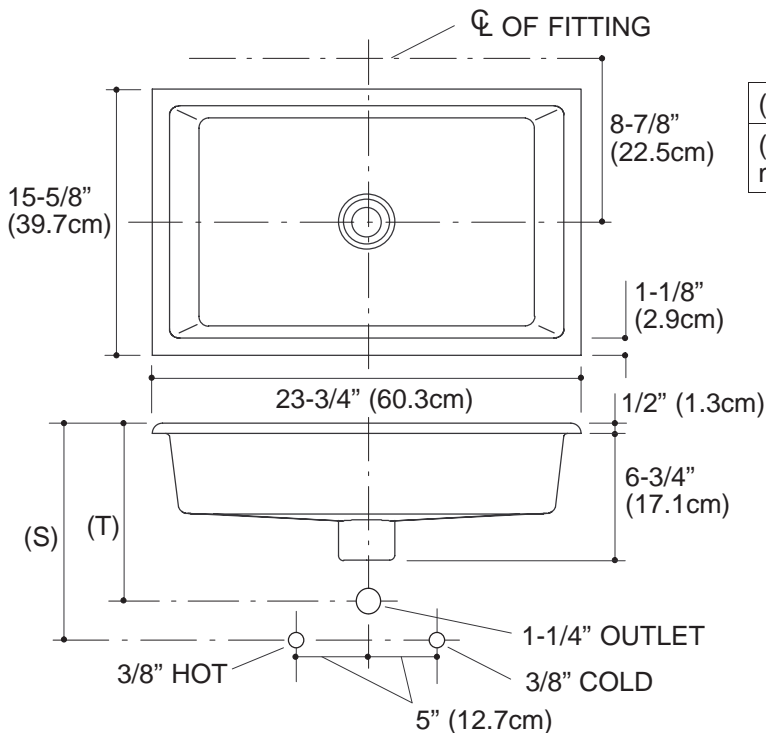
Fixture*:		basin area	water depth
Lavatory		21" (53.3cm) x 13" (33cm)	3" (7.6cm)
Outlet	1-3/4" D. (4.4cm)		

* Approximate measurements for comparison only.

Included Components:	
Basin clamp assembly	52047
Adhesive sealant	81489
Cutout template	1006902-7

INSTALLATION NOTES

NOTICE: Countertop manufacturer or cutter **must** use the cut-out template provided with the product, or a current one provided by Kohler Co. (call 1-800-43-FOCUS). Kohler Co. is not responsible for cut-out errors when the incorrect cut-out template is used.



(T) Pop-up drain typically 12-7/8" (32.7cm).

(S) 14" (35.6cm) – Based on 12" (30.5cm) riser which may require cutting.

332

PRODUCT DIAGRAM